



**OPERATOR'S MANUAL  
MANUEL de L'UTILISATEUR  
MANUAL del OPERADOR**

**Catalog No.  
No de Cat.  
Número de Catálogo  
6190-20**



**14" DRY-CUT MACHINE  
OUTIL DE COUPE À SEC DE 355 mm (14")  
CORTADORA EN SECO DE 355 mm (14")**

***TO REDUCE THE RISK OF INJURY, USER MUST READ AND UNDERSTAND OPERATOR'S MANUAL.***

***AFIN DE RÉDUIRE LE RISQUE DE BLESSURES, L'UTILISATEUR DOIT LIRE ET BIEN COMPRENDRE LE MANUEL DE L'UTILISATEUR.***

***PARA REDUCIR EL RIESGO DE LESIONES, EL USUARIO DEBE LEER Y ENTENDER EL MANUAL DEL OPERADOR.***

## GENERAL SAFETY RULES



### WARNING

#### **READ AND UNDERSTAND ALL INSTRUCTIONS**


Failure to follow all instructions listed below, may result in electric shock, fire and/or serious personal injury.

#### **SAVE THESE INSTRUCTIONS**

### WORK AREA

1. **Keep work area clean and well lit.** Cluttered, dark work areas invite accidents.
2. **Avoid dangerous environments.** Do not use your power tool in rain, damp or wet locations or in the presence of explosive atmospheres (gaseous fumes, dust or flammable materials). Remove materials or debris that may be ignited by sparks.
3. **Keep bystanders away.** Children and bystanders should be kept at a safe distance from the work area to avoid distracting the operator and contacting the tool or extension cord.
4. **Protect others in the work area** from debris such as chips and sparks. Provide barriers or shields as needed.
5. **Make workshop child proof** with padlocks, master switches, or by removing starter keys.

### ELECTRICAL SAFETY

6. **Grounded tools must be plugged into an outlet properly installed and grounded in accordance with all codes and ordinances.** Never remove the grounding prong or modify the plug in any way. Do not use any adaptor plugs. Check with a qualified electrician if you are in doubt as to whether the outlet is properly grounded. If the tool should electrically malfunction or break down, grounding provides a low resistance path to carry electricity away from the user.
7. **Double insulated tools are equipped with a polarized plug (one blade is wider than the other). This plug will fit in a polarized outlet only one way. If the plug does not fit fully in the outlet, reverse the plug. If it still does not fit, contact a qualified electrician to install a polarized outlet. Do not change the plug in any way.** Double insulation  eliminates the need for the three wire grounded power cord and grounded power supply system.
8. **Guard against electric shock.** Prevent body contact with grounded surfaces such as pipes, radiators, ranges and refrigerators. When making blind or plunge cuts, always check the work area for hidden wires or pipes. Hold your tool by insulated nonmetal grasping surfaces. Use a Ground Fault Circuit Interrupter (GFCI) to reduce shock hazards.
9. **Do not expose to rain or use in damp locations.**
10. **Do not abuse the cord. Never use the cord to carry the tools or pull the plug from an outlet. Keep cord away from heat, oil, sharp edges or moving parts. Replace damaged cords immediately.** Damaged cords increase the risk of electric shock.

### PERSONAL SAFETY

11. **Know your power tool.** Read this manual carefully to learn your power tool's applications and limitations as well as potential hazards associated with this type of tool.
12. **Stay alert, watch what you are doing, and use common sense when operating a power tool. Do not use tool while tired or under the influence of drugs, alcohol, or medication.** A moment of inattention while operating power tools may result in serious personal injury.

13. **Dress properly.** Do not wear loose clothing or jewelry. Wear a protective hair covering to contain long hair. These may be caught in moving parts. When working outdoors, wear rubber gloves and insulated non-skid footwear. Keep hands and gloves away from moving parts.
14. **Reduce the risk of unintentional starting.** Be sure your tool is turned off before plugging it in. Do not use a tool if the power switch does not turn the tool on and off. Do not carry a plugged-in tool with your finger on the switch.
15. **Remove all adjusting keys and wrenches.** Make a habit of checking that adjusting keys, wrenches, etc. are removed from the tool before turning it on.
16. **Do not overreach. Maintain control.** Keep proper footing and balance at all times. Maintain a firm grip. Use extra care when using tool on ladders, roofs, scaffolds, etc.
17. **Use safety equipment.** Everyone in the work area should wear **safety goggles or glasses with side shields** complying with current safety standards. Everyday eyeglasses only have impact resistant lenses. They are not safety glasses. Wear hearing protection during extended use and a dust mask for dusty operations. Hard hats, face shields, safety shoes, etc. should be used when specified or necessary. Keep a fire extinguisher nearby.
18. **Keep guards in place** and in working order.
19. **Never stand on tool.** Serious injury could occur if the tool is tipped or if the cutting tool is unintentionally contacted.
20. **Keep hands away from all cutting edges and moving parts.**

### TOOL USE AND CARE

21. **Secure work.** Use a clamp, vise or other practical means to hold your work securely, freeing both hands to control the tool.
22. **Do not force tool.** Your tool will perform best at the rate for which it was designed. Excessive force only causes operator fatigue, increased wear and reduced control.
23. **Use the right tool.** Do not use a tool or attachment to do a job for which it is not recommended. For example, do not use a circular saw to cut tree limbs or logs. Do not alter a tool.
24. **Unplug tool** when it is not in use, before changing accessories or performing recommended maintenance.
25. **Store idle tools.** When not in use, store your tool in a dry, secured place. Keep out of reach of children.
26. **Never leave the tool running unattended.** Turn power off. Do not leave the tool until it comes to a complete stop.
27. **Check for damaged parts.** Inspect guards and other parts before use. Check for misalignment, binding of moving parts, improper mounting, broken parts and any other conditions that may affect operation. If abnormal noise or vibration occurs, turn the tool off immediately and have the problem corrected before further use. Do not use a damaged tool. Tag damaged tools "DO NOT USE" until repaired. A guard or other damaged part should be properly repaired or replaced by a *MILWAUKEE* service facility. For all repairs, insist on only identical replacement parts.

28. **Use proper accessories.** Consult this manual for recommended accessories. Using improper accessories may be hazardous. Be sure accessories are properly installed and maintained. Do not defeat a guard or other safety device when installing an accessory or attachment.
29. **Maintain tools carefully.** Keep handles dry, clean and free from oil and grease. Keep cutting edges sharp and clean. Follow instructions for lubricating and changing accessories. Periodically inspect tool cords and extension cords for damage. Have damaged parts repaired or replaced by a *MILWAUKEE* service facility.
30. **Maintain labels & nameplates.** These carry important information. If unreadable or missing, contact a *MILWAUKEE* service facility for a free replacement.

## SERVICE

31. **Tool service must be performed only by qualified repair personnel.** Service or maintenance performed by unqualified personnel may result in a risk of injury.
32. **When servicing a tool, use only identical replacement parts, follow instructions in the maintenance section of this manual.** Use of unauthorized parts or failure to follow maintenance instructions may create a risk of shock or injury.

## SPECIFIC SAFETY INSTRUCTIONS - DRY-CUT MACHINE



### WARNING

To reduce the risk of injury, avoid inhalation of dust generated by grinding and cutting operations. Exposure to dust may cause respiratory ailments. Use approved NIOSH or OSHA respirators, safety glasses or face shields, gloves and protective clothing. Provide adequate ventilation to eliminate dust, or to maintain dust level below the Threshold Limit Value for nuisance dust as classified by OSHA.

**WARNING!** Some dust created by power sanding, sawing, grinding, drilling, and other construction activities contains chemicals known to cause cancer, birth defects or other reproductive harm. Some examples of these chemicals are:

- lead from lead-based paint
- crystalline silica from bricks and cement and other masonry products, and
- arsenic and chromium from chemically-treated lumber.

Your risk from these exposures varies, depending on how often you do this type of work. To reduce your exposure to these chemicals: work in a well ventilated area, and work with approved safety equipment, such as those dust masks that are specially designed to filter out microscopic particles.




### Blade Instructions

1. Do not allow the blade to twist or bind.
2. Keep hands and body away from the rotating blade. Never reach around, under or across blade. Do not wear loose clothing when using this tool.
3. Store blades with care. Do not drop them.
4. Make sure that all blade flanges and other mounting hardware are in good condition and are always used properly. Defective or missing parts may cause damage to the blade. Always use mounting flanges supplied with the tool.
5. Do not use dull or damaged blades. Unsharpened or improperly set blades produce a narrow kerf causing excessive friction, blade binding and kickback.
6. Before starting a cut, make a trial run. The blade should rotate freely and not contact the table.
7. Never try to remove or clamp the workpiece to the tool while the blade is rotating.
8. Before installing a blade, always inspect it for damage. Replace damaged blades immediately.
9. Always check maximum operating speed established for blade against machine speed. Do not exceed the maximum operating speed that is marked on the blade.
10. Do not force a blade onto the machine or alter the size of the arbor hole. Don't use a blade that fits the arbor too loosely. If the blade doesn't fit the machine, get one that does.
11. Do not use abrasive wheels.







### Machine Instructions

1. Start cutting only after the motor has reached full speed.
2. Release switch immediately if the blade stops rotating or if the motor sounds like it is straining.
3. Keep flammable and fragile objects away from this tool. Do not allow cut-off sparks to contact the operator's hands, face or feet.
4. Place the tool securely on a flat, level surface.
5. Always use the tool with the proper voltage specified on the tool's nameplate.
6. Never touch a short cut-off piece until it cools.
7. Never attempt to cut material larger than the rated capacity listed in "Specifications".
8. Never stand in line with the blade while cutting. Always stand to the side.
9. Check guards before each use.
10. Always keep guards in place.
11. Do not defeat guards. The tool is shipped with both the upper and lower guard installed. The lower guard should cover the blade when the saw head is up and it should open automatically as the saw head is lowered into the workpiece. If the lower guard appears loose or if it does not move to cover the blade when the saw head is up, take the saw to an authorized service center for repairs. Do not attempt to open the guard further than the automatic action permits. The tool is designed so that when the guard is opened with the saw head in the up position, the saw head will not be able to be lowered.
12. Always start the cut gently. Do not bump or bang a blade to start a cut.
13. Never make any freehand cuts. Always place the workpiece between the vise and fence when making cuts.

## Dry-Cut Machine Specifications

Cat. No.	Blade Size	RPM	Volts AC/DC	Amps	Arbor Hole Size	Workpiece Configurations (Cross-Section)		
						 Rectangular Stock	 O.D. Pipe	 Square Tubing
6190-20	14"	1500	120	15	1"	4" x 7-1/2"	5-3/8"	5" x 5"

### Symbology

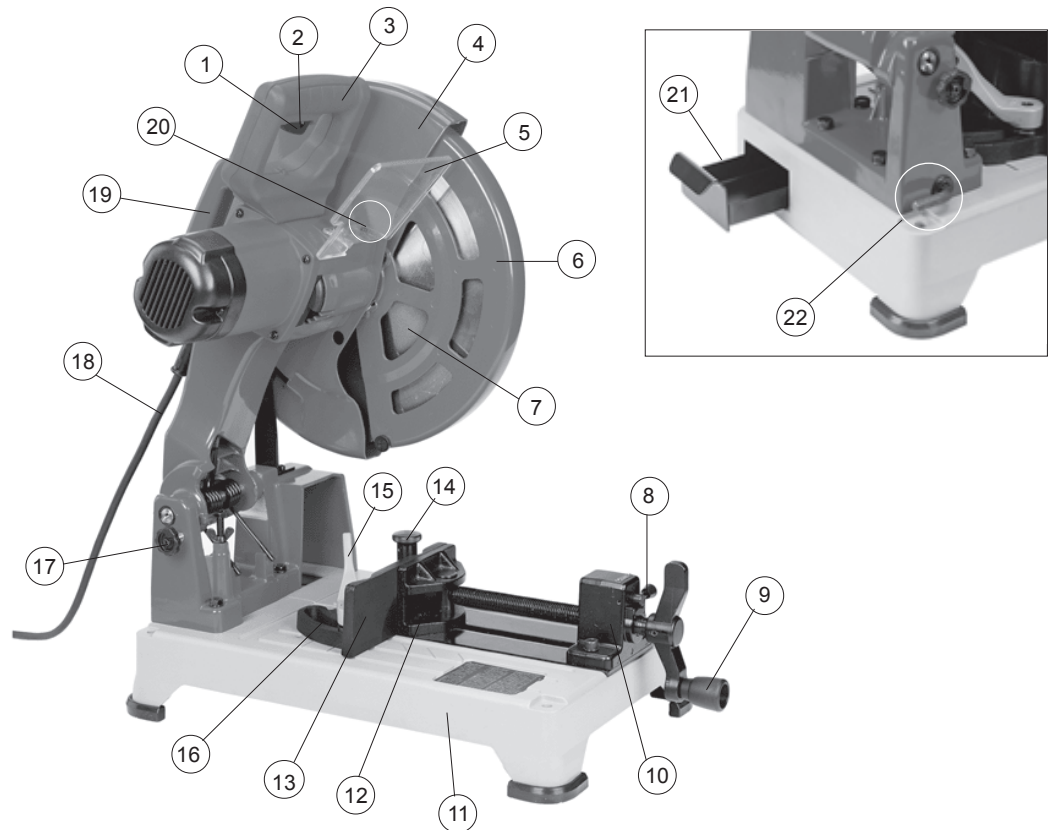
	Double Insulated
	Volts Alternating Current/ Direct Current
	Amps
	No Load Revolutions per Minute (RPM)
	Underwriters Laboratories, Inc.
	Canadian Standards Association

### Blade Specifications

Blade Size	Min. Blade RPM Rating	Arbor Hole Size
14"	1800	1"

## FUNCTIONAL DESCRIPTION

1. Trigger
2. Lock-out hole
3. Handle
4. Upper guard
5. Transparent shield
6. Lower guard
7. Saw blade
8. Quick release lever
9. Vise handle
10. Vise
11. Base
12. Vise plate
13. Quick adjust fence
14. Spring loaded fence bolt
15. Fence lock lever
16. Angle indicator
17. Transport lock
18. Cord
19. Transport handle
20. Spindle lock lever
21. Chip tray
22. Wrench storage



## GROUNDING



### WARNING

Improperly connecting the grounding wire can result in the risk of electric shock. Check with a qualified electrician if you are in doubt as to whether the outlet is properly grounded. Do not modify the plug provided with the tool. Never remove the grounding prong from the plug. Do not use the tool if the cord or plug is damaged. If damaged, have it repaired by a **MILWAUKEE** service facility before use. If the plug will not fit the outlet, have a proper outlet installed by a qualified electrician.

### Grounded Tools:

#### Tools with Three Prong Plugs

Tools marked "Grounding Required" have a three wire cord and three prong grounding plug. The plug must be connected to a properly grounded outlet (See Figure A). If the tool should electrically malfunction or break down, grounding provides a low resistance path to carry electricity away from the user, reducing the risk of electric shock.

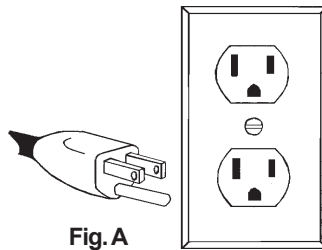


Fig. A

The grounding prong in the plug is connected through the green wire inside the cord to the grounding system in the tool. The green wire in the cord must be the only wire connected to the tool's grounding system and must never be attached to an electrically "live" terminal.

Your tool must be plugged into an appropriate outlet, properly installed and grounded in accordance with all codes and ordinances. The plug and outlet should look like those in Figure A.

### Double Insulated Tools:

#### Tools with Two Prong Plugs

Tools marked "Double Insulated" do not require grounding. They have a special double insulation system which satisfies OSHA requirements and complies with the applicable standards of Underwriters Laboratories, Inc., the Canadian Standard Association and the National Electrical Code. Double Insulated tools may be used in either of the 120 volt outlets shown in Figures B and C.

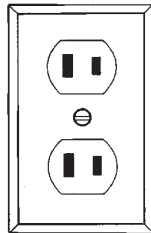


Fig. B

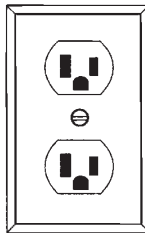


Fig. C

## EXTENSION CORDS

Grounded tools require a three wire extension cord. Double insulated tools can use either a two or three wire extension cord. As the distance from the supply outlet increases, you must use a heavier gauge extension cord. Using extension cords with inadequately sized wire causes a serious drop in voltage, resulting in loss of power and possible tool damage. Refer to the table shown to determine the required minimum wire size.

The smaller the gauge number of the wire, the greater the capacity of the cord. For example, a 14 gauge cord can carry a higher current than a 16 gauge cord. When using more than one extension cord to make up the total length, be sure each cord contains at least the minimum wire size required. If you are using one extension cord for more than one tool, add the nameplate amperes and use the sum to determine the required minimum wire size.

### Guidelines for Using Extension Cords

- If you are using an extension cord outdoors, be sure it is marked with the suffix "W-A" ("W" in Canada) to indicate that it is acceptable for outdoor use.
- Be sure your extension cord is properly wired and in good electrical condition. Always replace a damaged extension cord or have it repaired by a qualified person before using it.
- Protect your extension cords from sharp objects, excessive heat and damp or wet areas.

### Recommended Minimum Wire Gauge for Extension Cords\*

Nameplate Amperes	Extension Cord Length					
	25'	50'	75'	100'	150'	200'
0 - 5	16	16	16	14	12	12
5.1 - 8	16	16	14	12	10	--
8.1 - 12	14	14	12	10	--	--
12.1 - 15	12	12	10	10	--	--
15.1 - 20	10	10	10	--	--	--

\* Based on limiting the line voltage drop to five volts at 150% of the rated amperes.

**READ AND SAVE ALL INSTRUCTIONS FOR FUTURE USE.**

## OPERATION



### WARNING

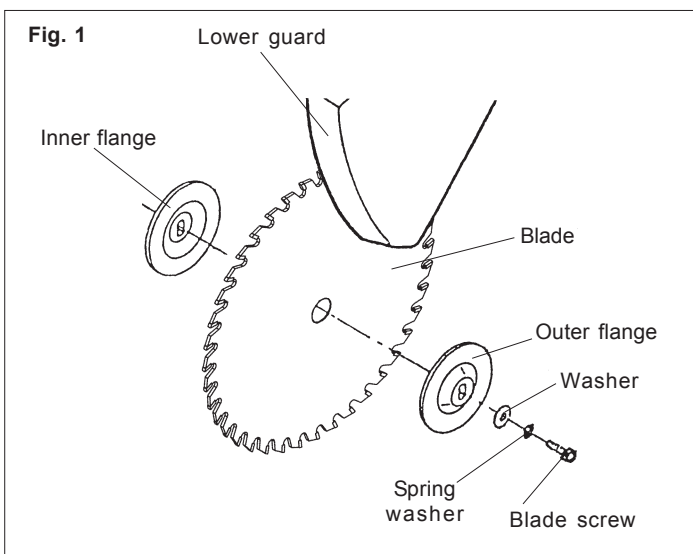
To reduce the risk of injury, always unplug tool before attaching or removing accessories. Use only specifically recommended accessories. Others may be hazardous.

### Using the Transport Lock

The transport lock locks down the handle for transporting and storing the tool. To release the transport lock, push down the handle and pull out the transport lock. To lock the transport lock, push down the handle and push in the transport lock.

### Removing and Installing Blades (Fig. 1)

MILWAUKEE recommends using only MILWAUKEE 14" Dry-Cut blades. Before operating the tool, make sure the blade is in good condition as described in the "Specific Safety Instructions - Dry-Cut Machines".



To change blades:

1. Unplug the tool.
2. Release the transport lock.
3. Loosen the wing nut on the spindle guard door and rotate the door to expose the blade arbor and blade screw.
4. Press down the spindle lock lever and loosen the blade screw (counterclockwise) with the wrench provided.

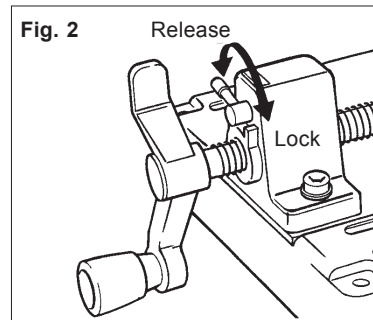
Caution: Keep finger away from sharp teeth.

5. Pull back the lower guard and remove the blade screw, spring washer, washer, outer flange and blade (if installed).
6. Check the two (2) blade flanges to be sure they are in good condition. Remove any nicks or burrs, which could cause uneven cutting pressure and result in blade damage.

Before installing a blade, always inspect it for damage. Replace damaged blades immediately.

7. Install the blade, outer flange, washer, spring washer and blade screw (Fig. 1).
8. Press down the spindle lock lever while tightening the blade screw (clockwise) with wrench provided.
9. Check the blade for free rotation after installation.
10. Allow the lower guard to return to its original position.
11. Return wrench to wrench storage.

### Using the Quick Release Lever (Fig. 2)



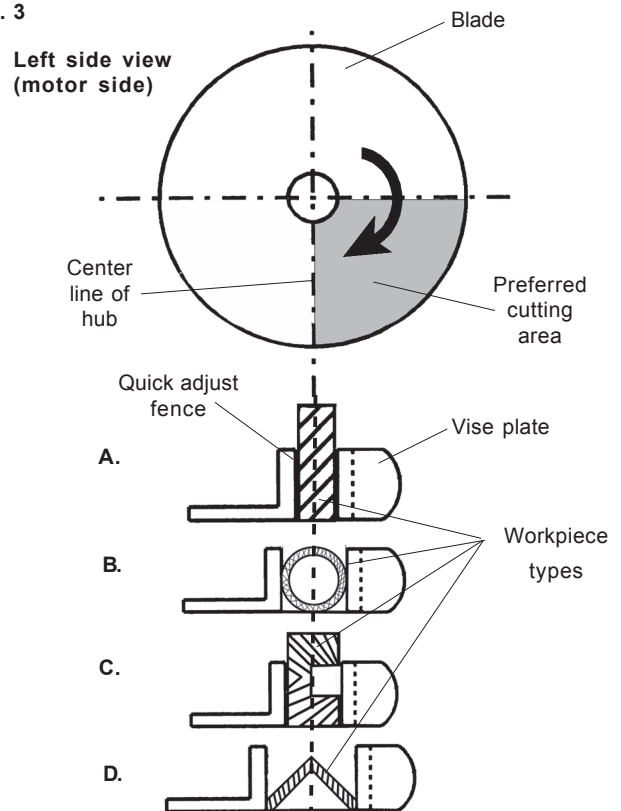
1. To release the quick release lever, rotate the lever fully to the left.
2. To lock the quick release lever, rotate the lever fully to the right.

### Supporting the Workpiece and Adjusting the Vise and Fence System (Figs. 3 & 4)

The adjustable vise and fence system holds the workpiece in the desired position. The vise plate and fence can be moved backward or forward and can be adjusted to any angle between 90° and 45°.

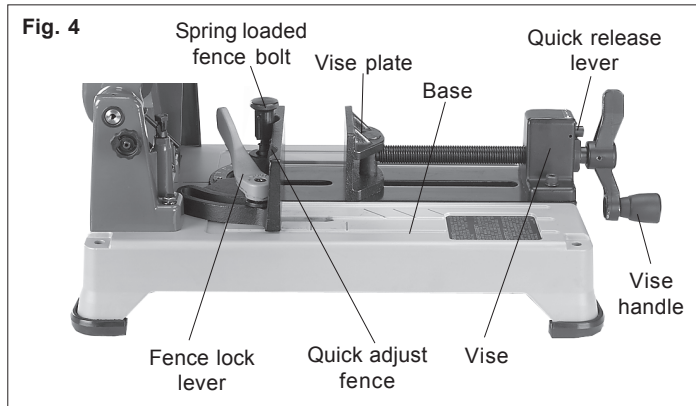
When adjusting the system, the vise and fence should be positioned so the centerline of the wheel hub is in line with or behind the centerline of the workpiece, toward the rear of the tool (Fig. 3). The workpiece should be resting flush with the base of the machine.

Fig. 3



To adjust the vise and fence system for a particular workpiece:

1. Rotate the quick release lever fully to the left to the "release" position. This will disengage the vise from the threads (Fig. 4).



2. Loosen the fence lock lever that holds the fence firmly in place.
3. Push down the spring loaded fence bolt and move the quick adjust fence into one of the three positions provided.
4. Release the spring loaded fence bolt. When properly engaged, the fence should click into position. If the fence is not fully engaged into position, manually move it back and forth until it clicks into place. If the fence does not click into place, repeat step 3.
5. Adjust the fence to the desired angle and tighten the fence lock lever.
6. Adjust the vise plate by moving the vise handle in or out as needed to fit the workpiece.
7. Rotate the quick release lever to the right to the "lock" position. This will engage the threads and lock the vise. To completely lock the vise, turn the vise handle clockwise until the workpiece is properly secured.

#### Selecting a Workpiece

The MILWAUKEE 14" Dry-Cut Machine is designed to cut various types of ferrous and non-ferrous metals, including mild steel, structural members and steel studs. Cutting hardened materials is not recommended, as this may reduce blade life and performance. The machine is not recommend for cutting wood or other soft materials. This may also reduce blade performance.

#### Starting and Stopping the Tool

1. Plug in the tool.
2. Stand out of the line of the blade.
3. To start the tool, pull the trigger.
4. To stop the tool, release the trigger.



#### WARNING

To reduce the risk of injury or damage to the tool, do not use the spindle lock lever to stop the spindle while the tool is in use or is coasting after shut-off.

#### Making a Cut

1. Unplug the tool.
2. Select a cutting angle and position the fence and vise assembly as needed, see "Supporting the Workpiece and Adjusting the Vise and Fence System".
3. Place the workpiece flat on top of the machine base. Position the thinnest section of the workpiece facing up. Turn the vise handle clockwise until the vise assembly holds the workpiece firmly in place.

**NOTE:** Make sure the quick release lever is fully rotated to the "lock" position.

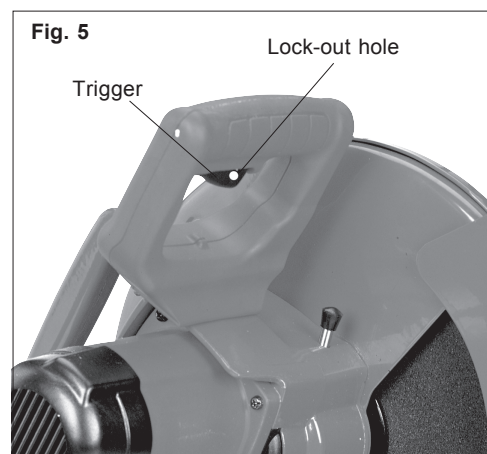
4. Check lower guard for proper position and operation.
5. Plug in the tool, stand out of the line of the blade and pull the trigger. Allow the motor to reach full speed. Slowly lower the blade into the workpiece.

**NOTE:** Always start the cut gently; do not bang or bump a blade when starting the cut. For the safest and most efficient cutting, make sure that the centerline of the blade hub is in line with or behind the centerline of the workpiece, toward the rear of the tool (Fig 3). To maximize blade life, increase force on handle until sparks subside.

6. When the cut is complete, raise the blade completely from the workpiece before releasing the trigger and allowing the motor to stop.
7. Restarting in mid-cut. If you stop the machine in mid-cut, allow the blade to stop, then back the blade out of the cut. Then restart the machine.
8. If the blade stalls, do not pull the trigger. A dull blade or excess pressure may cause stalling. Release the trigger immediately if the blade binds or the machine stalls and remove the blade from the cut.

#### Using the Lock-out Hole (Fig. 5)

Insert a padlock through the lock-out hole to prevent the tool from starting unintentionally.



## MAINTENANCE



### WARNING

To reduce the risk of injury, always unplug your tool before performing any maintenance. Never disassemble the tool or try to do any rewiring on the tool's electrical system. Contact a MILWAUKEE service facility for ALL repairs.

### Maintaining Tools

Keep your tool in good repair by adopting a regular maintenance program. Before use, examine the general condition of your tool. Inspect guards, switches, tool cord set and extension cord for damage. Check for loose screws, misalignment, binding of moving parts, improper mounting, broken parts and any other condition that may affect its safe operation. If abnormal noise or vibration occurs, turn the tool off immediately and have the problem corrected before further use. Do not use a damaged tool. Tag damaged tools "DO NOT USE" until repaired (see "Repairs").

Under normal conditions, relubrication is not necessary until the motor brushes need to be replaced. After six months to one year, depending on use, return your tool to the nearest MILWAUKEE service facility for the following:

- Lubrication
- Brush inspection and replacement
- Mechanical inspection and cleaning (gears, spindles, bearings, housing, etc.)
- Electrical inspection (switch, cord, armature, etc.)
- Testing to assure proper mechanical and electrical operation



### WARNING

To reduce the risk of injury, electric shock and damage to the tool, never immerse your tool in liquid or allow a liquid to flow inside the tool.

### Cleaning

Clean dust and debris from vents. Keep the tool handles clean, dry and free of oil or grease. Use only mild soap and a damp cloth to clean your tool since certain cleaning agents and solvents are harmful to plastics and other insulated parts. Some of these include: gasoline, turpentine, lacquer thinner, paint thinner, chlorinated cleaning solvents, ammonia and household detergents containing ammonia. Never use flammable or combustible solvents around tools.

### Repairs

If your tool is damaged, return the entire tool to the nearest service center.

## ACCESSORIES



### WARNING

To reduce the risk of injury, always unplug the tool before attaching or removing accessories. Use only specifically recommended accessories. Others may be hazardous.

For a complete listing of accessories refer to your MILWAUKEE Electric Tool catalog or go on-line to [www.milwaukeetool.com](http://www.milwaukeetool.com). To obtain a catalog, contact your local distributor or a service center.

## FIVE YEAR TOOL LIMITED WARRANTY

Every MILWAUKEE electric power tool (including battery charger) is warranted to the original purchaser only to be free from defects in material and workmanship. Subject to certain exceptions, MILWAUKEE will repair or replace any part on a electric power tool which, after examination, is determined by MILWAUKEE to be defective in material or workmanship for a period of five (5) years\* after the date of purchase. Return the electric power tool and a copy of proof of purchase to a MILWAUKEE factory Service/Sales Support Branch location or MILWAUKEE Authorized Service Station, freight prepaid and insured, are requested for this warranty to be effective. This warranty does not apply to damage that MILWAUKEE determines to be from repairs made or attempted by anyone other than MILWAUKEE authorized personnel, misuse, alterations, abuse, normal wear and tear, lack of maintenance, or accidents.

\* The warranty period for Hoists (lever, hand chain, & electric chain hoists), all Ni-CD battery packs, Work Lights (cordless flashlights), Job Site Radios, and Trade Titan™ Industrial Work Carts is one (1) year from the date of purchase. \*The warranty period for Li-Ion battery packs that do not contain V™-technology – 4.0 volts through 18.0 volts - is two (2) years from the date of purchase.

\*There is a separate warranty for V™-technology Li-Ion Battery Packs V™ 18 volts and above that accompany V™-technology cordless power tools:

\*Every MILWAUKEE V™-technology Li-Ion Battery Pack 18 volts or above is covered by an initial 1000 Charges/2 Years free replacement warranty. This means that for the earlier of the first 1000 charges or two (2) years from the date of purchase/first charge, a replacement battery will be provided to the customer for any defective battery free of charge. Thereafter, customers will also receive an additional warranty on a pro rata basis up to the earlier of the first 2000 charges or five (5) Years from the date of purchase/first charge. This means that every customer gets an additional 1000 charges or three (3) years of pro rata warranty on the V™-technology Li-Ion Battery Pack 18 volts or above depending upon the amount of use. During this additional warranty period, the customer pays for only the useable service received over and above the first 1000 Charges/2 years, based on the date of first charge and number of charges found on the battery pack via Milwaukee's V™-technology Service Reader.

Warranty Registration is not necessary to obtain the applicable warranty on a MILWAUKEE product. However, proof of purchase in the form of a sales receipt or other information deemed sufficient by MILWAUKEE, is requested.

ACCEPTANCE OF THE EXCLUSIVE REPAIR AND REPLACEMENT REMEDIES DESCRIBED HEREIN IS A CONDITION OF THE CONTRACT FOR THE PURCHASE OF EVERY MILWAUKEE PRODUCT. IF YOU DO NOT AGREE TO THIS CONDITION, YOU SHOULD NOT PURCHASE THE PRODUCT. IN NO EVENT SHALL MILWAUKEE BE LIABLE FOR ANY INCIDENTAL, SPECIAL, CONSEQUENTIAL OR PUNITIVE DAMAGES, OR FOR ANY COSTS, ATTORNEY FEES, EXPENSES, LOSSES OR DELAYS ALLEGED TO BE AS A CONSEQUENCE OF ANY DAMAGE TO, FAILURE OF, OR DEFECT IN ANY PRODUCT INCLUDING, BUT NOT LIMITED TO, ANY CLAIMS FOR LOSS OF PROFITS. THIS WARRANTY IS EXCLUSIVE AND IN LIEU OF ALL OTHER WARRANTIES OR CONDITIONS, WRITTEN OR ORAL, EXPRESSED OR IMPLIED. WITHOUT LIMITING THE GENERALITY OF THE FOREGOING, MILWAUKEE DISCLAIMS ANY IMPLIED WARRANTY OF MERCHANTABILITY OR FITNESS FOR A PARTICULAR USE OR PURPOSE, AND ALL OTHER WARRANTIES.

This warranty applies to product sold in the U.S.A., Canada and Mexico only.



## RÈGLES DE SÉCURITÉ GÉNÉRALES



### AVERTISSEMENT

#### VOUS DEVEZ LIRE ET COMPRENDRE TOUTES LES INSTRUCTIONS


Le non-respect, même partiel, des instructions ci-après entraîne un risque de choc électrique, d'incendie et/ou de blessures graves.

#### CONSERVEZ CES INSTRUCTIONS

### AIRE DE TRAVAIL

1. **Conservez votre lieu de travail propre et bien éclairé.** Les endroits sombres et encombrés sont propices aux accidents.
2. **Évitez les milieux dangereux.** Ne vous servez pas de votre outil électrique sous la pluie ou dans les endroits mouillés ou humides, les atmosphères propices aux explosions (émanations de gaz, poussière ou substances inflammables). Faites disparaître les matériaux qui risquent d'être enflammés par les étincelles.
3. **Éloignez les spectateurs.** Les enfants et les spectateurs devraient être tenus à distance du lieu de travail, afin de ne pas déranger l'utilisateur et être à l'abri de tout contact avec l'outil et le cordon de rallonge.
4. **Protégez ceux qui se trouvent sur les lieux** des éclats et des étincelles. Installez des barrières ou des écrans protecteurs si nécessaire.
5. **Faites de votre atelier un lieu sécuritaire pour les enfants** on installant des cadenas, un interrupteur principal et en retirant les clés de démarrage.

### SÉCURITÉ ÉLECTRIQUE

6. **Les outils mis à la terre doivent être branchés dans une prise de courant correctement installée et mise à la terre conformément à tous les codes et règlements pertinents. Ne modifiez jamais la fiche de quelque façon que ce soit, par exemple en enlevant la broche de mise à la terre. N'utilisez pas d'adaptateur de fiche. Si vous n'êtes pas certain que la prise de courant est correctement mise à la terre, adressez-vous à un électricien qualifié.** En cas de défaillance ou de défectuosité électrique de l'outil, une mise à la terre offre un trajet de faible résistance à l'électricité qui autrement risquerait de traverser l'utilisateur.
7. **Les outils à double isolation sont équipés d'une fiche polarisée (une des lames est plus large que l'autre), qui ne peut se brancher que d'une seule façon dans une prise polarisée. Si la fiche n'entre pas parfaitement dans la prise, inversez sa position ; si elle n'entre toujours pas bien, demandez à un électricien qualifié d'installer une prise de courant polarisée. Ne modifiez pas la fiche de l'outil.** La double isolation  élimine le besoin d'un cordon d'alimentation à trois fils avec mise à la terre ainsi que d'une prise de courant mise à la terre.
8. **Protégez-vous des chocs électriques.** Évitez tout contact avec les surfaces mises à la terre tels les radiateurs, cuisinières et réfrigérateurs. Lorsque vous enfoncez l'outil à l'aveuglette au travers d'un matériau assurez-vous d'abord qu'il n'y pas de câbles électriques ou de tuyaux. Tenez l'outil par ses parties isolées non métalliques. Employez un coupe-circuit relié à la masse (GFCI) pour réduire les risques de choc.
9. **N'exposez pas l'outil aux intempéries et ne vous en servez pas dans les endroits humides.**
10. **Ne maltraitez pas le cordon. Ne transportez pas l'outil par son cordon et ne débranchez pas la fiche en tirant sur le cordon. N'exposez pas le cordon à la chaleur, à des huiles, à des arêtes vives ou à des pièces en mouvement. remplacez immédiatement un cordon endommagé.** Un cordon endommagé augmente le risque de choc électrique.

### SÉCURITÉ DES PERSONNES

11. **Familiarisez-vous avec votre outil électrique.** Lisez attentivement ce manuel pour apprendre les applications, limitations et risques inhérent au maniement de ce genre d'outil.
12. **Restez alerte, concentrez-vous sur votre travail et faites preuve de jugement. N'utilisez pas un outil électrique si vous êtes fatigué ou sous l'influence de drogues, d'alcool ou de médicaments.** Un instant d'inattention suffit pour entraîner des blessures graves.
13. **Habillez-vous correctement.** Ne portez ni vêtements amples ni bijoux. Portez un casque protecteur pour contenir les longs cheveux et les empêcher de se prendre dans les pièces en mouvement. Si vous travaillez à l'extérieur, portez des gants de caoutchouc et des chaussures à semelles antidérapantes. Tenez vos mains ou vos gants à l'écart des pièces en mouvement.
14. **Réduisez les risques de démarrage accidentel.** Assurez-vous que votre outil est à la position d'arrêt « OFF » avant de le brancher. N'utilisez pas un outil dont l'interrupteur ne fonctionne pas normalement. Ne transportez pas un outil branché en gardant les doigts sur la détente.
15. **Retirez les clés de réglage.** Prenez l'habitude de vérifier si les clés de réglage et autres outils sont retirés de l'outil avant de le mettre en marche.
16. **Ne dépassez pas les limites, contrôlez l'outil.** Gardez les pieds bien en place et assurez votre équilibre. Tenez l'outil fermement. Soyez très prudent si vous utilisez l'outil dans une échelle, sur un toit, un échafaud, etc.
17. **Employez de l'équipement de sécurité.** Toutes les personnes présentes dans l'aire de travail devraient **porter des lunettes de protection ou à coques latérales** conformes aux normes de sécurité en vigueur. Les lunettes ordinaires peuvent être pourvues de verres résistants, mais elles ne sont pas sécuritaires. Portez des protecteurs d'oreilles pour les tâches prolongées et un masque facial contre la poussière. Un casque rigide, un masque facial, des chaussures de sécurité, etc. devraient être utilisés lorsque la situation l'exige. Gardez un extincteur d'incendie à portée de la main.
18. **Maintenez les gardes en place** et en bon état.
19. **Ne vous appuyez jamais sur l'outil.** De graves blessures pourraient résulter du renversement de l'outil ou de son démarrage accidentel.
20. **Tenez les mains à l'écart des arêtes tranchantes et des pièces en mouvement.**

### UTILISATION ET ENTRETIEN DES OUTILS

21. **Assujettissez l'ouvrage.** Employez une fixation, pince-étau ou autre dispositif approprié pour maintenir solidement l'ouvrage et libérer vos deux mains pour le maniement de l'outil.
22. **Ne forcez pas l'outil.** Votre outil fournira un meilleur rendement si vous l'employez comme il doit l'être. Un usage excessif, en plus de fatiguer l'utilisateur, augmentera l'usure de l'outil et rendra son maniement plus difficile.
23. **Employez l'outil approprié.** N'utilisez pas un outil ou un accessoire non approprié à la tâche. Par exemple, on ne doit pas employer une scie circulaire pour tailler un arbre ou scier des bûches. N'altérez pas l'outil.
24. **Débranchez l'outil** lorsque vous ne vous en servez pas ou avant d'en changer les accessoires ou d'en effectuer l'entretien.

25. **Rangez les outils que vous n'utilisez pas** au sec dans un endroit sûr, hors de la portée des enfants.
26. **Ne laissez jamais l'outil en marche sans surveillance.** Avant de vous en éloigner, coupez le courant et attendez qu'il soit complètement arrêté.
27. **Décelez les pièces défectueuses.** Avant de vous servir de l'outil, inspectez les gardes et les autres pièces. Vérifiez l'alignement et le jeu des pièces mobiles, les vices de montage, bris de pièces et toute autre condition pouvant nuire au bon fonctionnement de l'outil. Si un bruit ou une vibration insolite survient, arrêtez immédiatement l'outil et faites-le vérifier avant de vous en servir de nouveau. N'utilisez pas un outil défectueux. Fixez-y une étiquette marquée « HORS D'USAGE » jusqu'à ce qu'il soit réparé. Si une garde ou une autre pièce est défectueuse, elle devrait être réparée ou remplacée dans un centre de service *MILWAUKEE* accrédité. Insistez pour obtenir des pièces de rechange identiques.
28. **Employez les accessoires appropriés.** Consultez ce manuel pour connaître quels accessoires utiliser. L'emploi d'accessoires autres que ceux qui sont recommandés peut comporter des risques. Assurez-vous que les accessoires sont correctement installés et entretenus. Ne dérangez pas un garde ou autre dispositif de sécurité lorsque vous installez un accessoire.
29. **Prenez soin de l'outil.** Gardez les poignées propres, sèches et exemptes d'huile ou de graisse. Maintenez les tranchants propres et vifs. Suivez les instructions de graissage et d'installation des accessoires. Inspectez périodiquement le cordon de l'outil et le cordon de rallonge. Faites réparer ou remplacer les pièces défectueuses à un centre de service *MILWAUKEE* accrédité.
30. **Entretenez les étiquettes et marques du fabricant.** Les indications qu'elles contiennent sont précieuses. Si elles deviennent illisibles ou si elles se détachent, faites-les remplacer gratuitement à un centre de service *MILWAUKEE* accrédité.

## RÉPARATION

31. **La réparation des outils électriques doit être confiée à un réparateur qualifié.** L'entretien ou la réparation d'un outil électrique par un amateur peut avoir des conséquences graves.
32. **Pour la réparation d'un outil, n'employez que des pièces de rechange d'origine. Suivez les directives données à la section « réparation » de ce manuel.** L'emploi de pièces non autorisées ou le non-respect des instructions d'entretien peut créer un risque de choc électrique ou de blessures.

## RÈGLES DE SÉCURITÉ PARTICULIÈRES - OUTIL DE COUPE À SEC



### AVERTISSEMENT

**Pour minimiser les risques de blessures, évitez d'inhaler la poussière dégagée par le disque abrasif. L'exposition à la poussière peut causer des malaises respiratoires. Utilisez un masque respiratoire approuvé par NIOSH ou OSHA, des lunettes de protection ou un masque facial, des gants et vêtements protecteurs. Assurez une ventilation adéquate pour évacuer la poussière ou en contenir le niveau sous le seuil admissible d'exposition (SAE) selon la classification OSHA.**

**AVERTISSEMENT!** La poussière dégage par perçage, sciage et autres travaux de construction contient des substances chimiques reconnues comme pouvant causer le cancer, des malformations congénitales ou d'autres troubles de reproduction. Voici quelques exemples de telles substances :

- Le plomb contenu dans la peinture au plomb.
- Le silice cristallin contenu dans la brique, le béton et divers produits de maçonnerie.
- L'arsenic et le chrome servant au traitement chimique du bois.

Les risques associés à l'exposition à ces substances varient, dépendant de la fréquence des travaux. Afin de minimiser l'exposition à ces substances chimiques, assurez-vous de travailler dans un endroit bien aéré et d'utiliser de l'équipement de sécurité tel un masque antipoussière spécifiquement conçu pour la filtration de particules microscopiques.

#### Instructions pour la lame

1. Ne laissez pas la lame se déformer ou se plier.
2. Gardez les mains et le corps à une distance sécuritaire de la lame en rotation. N'étendez pas un membre autour, en dessous ou bien en croisant la lame. Ne portez pas de vêtements flottants lorsque vous utilisez cet outil.
3. Rangez les lames avec soin. Ne les laissez pas tomber.
4. Assurez-vous que les joues de lame et autres pièces de montage sont en bon état et sont toujours utilisées correctement. Des pièces défectueuses ou manquantes peuvent endommager la lame. Utilisez toujours les joues de montages fournies avec l'outil.
5. N'utilisez pas de lames émoussées ou endommagées. Les lames mal affûtées ou mal montées produisent une saignée étroite causant ainsi une friction excessive, un coincement de la lame et un recul.
6. Avant d'entamer une coupe, exécutez un coup d'essai. La lame devrait tourner librement sans entrer en contact avec la table.
7. N'essayez jamais d'enlever ou d'immobiliser la pièce sur l'outil pendant que la lame tourne.
8. Vérifiez toujours si une lame n'est pas endommagée avant de l'installer. Remplacez immédiatement une lame endommagée.
9. Vérifiez toujours la vitesse maximale de fonctionnement établie pour le rapport lame/outil. Ne dépassez pas la vitesse maximale d'utilisation marquée sur la lame.
10. N'introduisez pas la lame de force dans l'outil et ne modifiez pas les dimensions du trou de l'arbre. N'utilisez pas une lame qui s'ajuste mal dans l'arbre. Si la lame ne s'ajuste pas dans l'outil, utilisez une lame qui s'ajuste.
11. N'utilisez pas de meules abrasives.

#### Instructions pour l'outil

1. Commencez à couper uniquement lorsque le moteur a atteint son plein régime.
2. Relâchez immédiatement le commutateur si la lame s'arrête de tourner ou si le moteur semble forcer.
3. Gardez les objets inflammables et fragiles à une distance sécuritaire de cet outil. Ne laissez pas des étincelles produites par le tronçonnage entrer en contact avec les mains, la figure ou les pieds de l'opérateur.
4. Placez l'outil de façon sécuritaire sur une surface plane.
5. Utilisez toujours l'outil à la tension spécifiée sur la plaque signalétique de l'outil.
6. Ne touchez jamais une pièce qui vient d'être coupée, avant qu'elle ne refroidisse.
7. Ne tentez jamais de couper un matériaux dont la capacité nominale dépasse celle figurant dans les « Spécifications ».
8. Ne vous placez jamais en ligne avec la lame pendant la coupe. Tenez-vous toujours sur le côté.
9. Vérifiez les protections avant chaque utilisation.
10. Gardez toujours la protection en place.
11. Ne contournez pas les protections. L'outil est expédié avec la protection supérieure et inférieure déjà installée. La protection inférieure doit couvrir la lame pendant que la tête de scie est relevée et doit s'ouvrir automatiquement à mesure que la tête de scie est abaissée dans la pièce. Si la protection inférieure semble avoir du jeu ou si elle ne se déplace pas pour couvrir la lame lorsque la tête de scie est relevée, apportez la scie à un centre de service autorisé pour la faire réparer. N'essayez pas d'ouvrir la protection plus loin que ne le permet son mouvement automatique. L'outil est conçu pour que la

tête de scie ne puisse être abaissée lorsque la protection est ouverte et que la tête de scie est en position relevée.

12. Commencez toujours la coupe en douceur. Ne cognez pas ou ne frappez pas la lame pour entamer une coupe.

13. N'effectuez jamais une coupe en tenant la pièce avec une main. Placez toujours la pièce entre l'étau et le guide avant de couper.

### Spécifications pour outil de coupe à sec

No de Cat.	Lame de scie	T/Min.	Volts CA/CD	Ampères	Dim. trou d'arbre	Configuration de la pièce (Coupe transversale)		
						Matériaux rectangulaires	Diam. ext. du tuyau	Tuyaux carrés
6190-20	355 mm (14")	1 500	120	15	25 mm (1")	101 mm x 190 mm (4" x 7-1/2")	136 mm (5-3/8")	127 mm x 127 mm (5" x 5")

### Pictographie

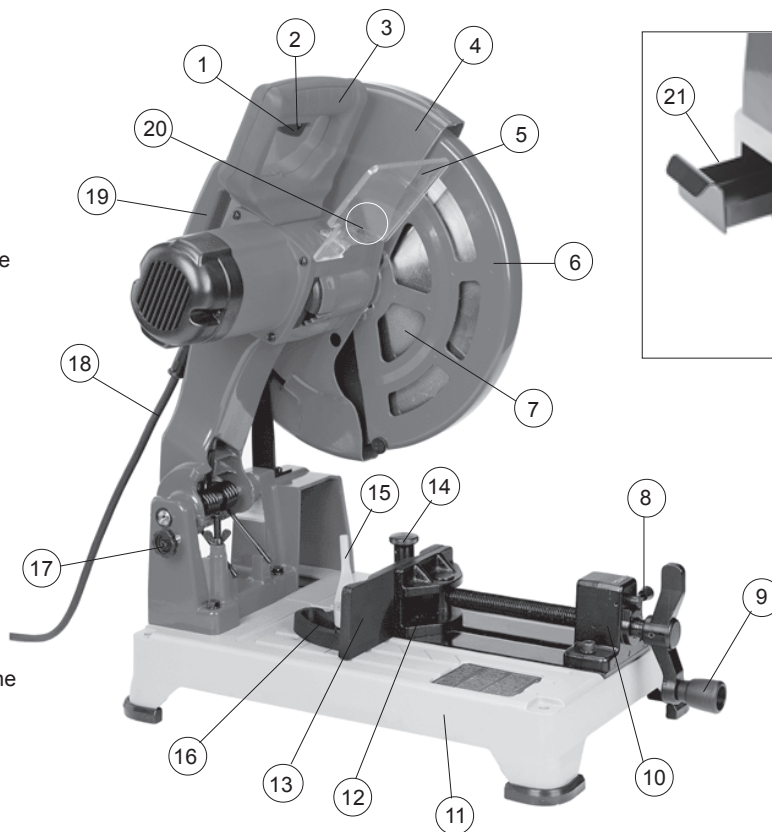
	Double Isolation	$n_{xxxx}/min.$	Tours-minute à vide (RPM)
	Courant alternatif ou direct		Underwriters Laboratories Inc.
	Ampères		L'Association canadienne de normalisation (ACNOR)

### Spécifications pour la lame

Dim. du disque	Calibre Minimal T/Min. Lame	Dim. trou d'arbre
355 mm (14")	1 800	25 mm (1")

### DESCRIPTION FONCTIONNELLE

- Gâchette
- Trou de verrouillage
- Poignée
- Protection supérieure
- Protection transparente
- Protection inférieure
- Lame de scie
- Levier à dégagement rapide
- Poignée de l'étau
- Étau
- Base
- Plaque de l'étau
- Guide à réglage rapide
- Boulon à ressort du guide
- Levier à verrou du guide
- Indicateur d'angle
- Verrou de transport
- Cordon
- Poignée de transport
- Levier à verrou de la broche
- Plateau à copeaux
- Rangement de la clé



## MISE À LA TERRE



**Si le fil de mise à la terre est incorrectement raccordé, il peut en résulter des risques de choc électrique. Si vous n'êtes pas certain que la prise dont vous vous servez est correctement mise à la terre, faites-la vérifier par un électricien. N'altérez pas la fiche du cordon de l'outil. N'enlevez pas de la fiche, la dent qui sert à la mise à la terre. N'employez pas l'outil si le cordon ou la fiche sont en mauvais état. Si tel est le cas, faites-les réparer dans un centre-service MILWAUKEE accrédité avant de vous en servir. Si la fiche du cordon ne s'adapte pas à la prise, faites remplacer la prise par un électricien.**

### Outils mis à la terre :

#### Outils pourvus d'une fiche de cordon à trois dents

Les outils marqués « Mise à la terre requise » sont pourvus d'un cordon à trois fils dont la fiche a trois dents. La fiche du cordon doit être branchée sur une prise correctement mise à la terre (voir Figure A). De cette façon, si une défectuosité dans le circuit électrique de l'outil survient, le relais à la terre fournira un conducteur à faible résistance pour décharger le courant et protéger l'utilisateur contre les risques de choc électrique.

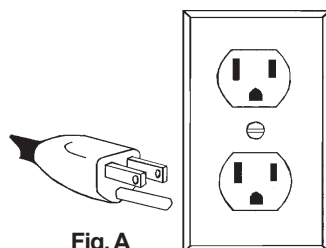


Fig. A

La dent de mise à la terre de la fiche est reliée au système de mise à la terre de l'outil via le fil vert du cordon. Le fil vert du cordon doit être le seul fil raccordé à un bout au système de mise à la terre de l'outil et son autre extrémité ne doit jamais être raccordée à une borne sous tension électrique.

Votre outil doit être branché sur une prise appropriée, correctement installée et mise à la terre conformément aux codes et ordonnances en vigueur. La fiche du cordon et la prise de courant doivent être semblables à celles de la Figure A.

#### Outils à double isolation : Outils pourvus d'une fiche de cordon à deux dents

Les outils marqués « Double Isolation » n'ont pas besoin d'être raccordés à la terre. Ils sont pourvus d'une double isolation conforme aux exigences de l'OSHA et satisfont aux normes de l'Underwriters Laboratories, Inc., de l'Association canadienne de normalisation (ACNOR) et du « National Electrical Code » (code national de l'électricité). Les outils à double isolation peuvent être branchés sur n'importe laquelle des prises à 120 volt illustrées ci-contre Figure B et C.

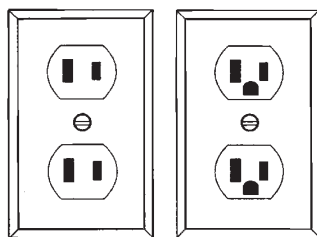


Fig. B

Fig. C

## CORDONS DE RALLONGE

Si l'emploi d'un cordon de rallonge est nécessaire, un cordon à trois fils doit être employé pour les outils mis à la terre. Pour les outils à double isolation, on peut employer indifféremment un cordon de rallonge à deux ou trois fils. Plus la longueur du cordon entre l'outil et la prise de courant est grande, plus le calibre du cordon doit être élevé. L'utilisation d'un cordon de rallonge incorrectement calibré entraîne une chute de voltage résultant en une perte de puissance qui risque de détériorer l'outil. Reportez-vous au tableau ci-contre pour déterminer le calibre minimum du cordon.

Moins le calibre du fil est élevé, plus sa conductivité est bonne. Par exemple, un cordon de calibre 14 a une meilleure conductivité qu'un cordon de calibre 16. Lorsque vous utilisez plus d'une rallonge pour couvrir la distance, assurez-vous que chaque cordon possède le calibre minimum requis. Si vous utilisez un seul cordon pour brancher plusieurs outils, additionnez le chiffre d'intensité (ampères) inscrit sur la fiche signalétique de chaque outil pour obtenir le calibre minimal requis pour le cordon.

### Directives pour l'emploi des cordons de rallonge

- Si vous utilisez une rallonge à l'extérieur, assurez-vous qu'elle est marquée des sigles « W-A » (« W » au Canada) indiquant qu'elle est adéquate pour usage extérieur.
- Assurez-vous que le cordon de rallonge est correctement câblé et en bonne condition. Remplacez tout cordon de rallonge détérioré ou faites-le remettre en état par une personne compétente avant de vous en servir.
- Tenez votre cordon de rallonge à l'écart des objets ranchants, des sources de grande chaleur et des endroits humides ou mouillés.

### Calibres minimaux recommandés pour les cordons de rallonge\*

Fiche signalétique Ampères	Longueur du cordon de rallonge (m)					
	7,6	15,2	22,8	30,4	45,7	60,9
0 - 5,0	16	16	16	14	12	12
5,1 - 8,0	16	16	14	12	10	--
8,1 - 12,0	14	14	12	10	--	--
12,1 - 15,0	12	12	10	10	--	--
15,1 - 20,0	10	10	10	--	--	--

\* Basé sur une chute de voltage limite de 5 volts à 150% de l'intensité moyenne de courant.

**LISEZ ATTENTIVEMENT CES INSTRUCTIONS  
ET CONSERVEZ-LES POUR LES  
CONSULTER AU BESOIN.**



**AVERTISSEMENT**

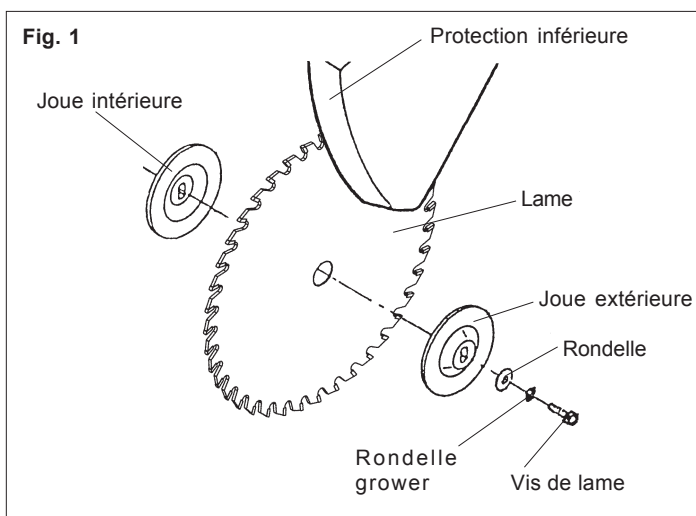
Pour réduire les risques de blessures, toujours débrancher l'outil avant de monter ou démonter des accessoires. Utiliser uniquement des accessoires spécifiquement recommandés pour cet outil. Tout autre type d'accessoire pourrait être dangereux.

**Utilisation du verrou de transport**

Le verrou de transport verrouille la poignée vers le bas pour permettre le transport et le rangement de l'outil. Pour dégager le verrou de transport, poussez la poignée vers le bas et tirez le verrou de transport. Pour verrouiller le verrou de transport, poussez la poignée vers le bas et poussez le verrou de transport.

**Dépose et montage des lames (Fig. 1)**

MILWAUKEE recommande d'utiliser seulement des lames de coupe à sec de (14") 356 mm de MILWAUKEE. Avant d'utiliser l'outil, assurez-vous que la lame est en bon état, tel que décrit dans la section « Règles de sécurité particulières – Outils de coupe à sec ».



Changement des lames :

1. Débranchez l'outil.
2. Dégagez le verrou de transport.
3. Desserrer le volant la noix sur la porte de garde de spindal et tourne la porte pour exposer la tonnelle de lame et la vis de lame.
4. Appuyez sur le levier à verrou de la broche et desserrez la vis de lame (sens antihoraire) avec la clé fournie.

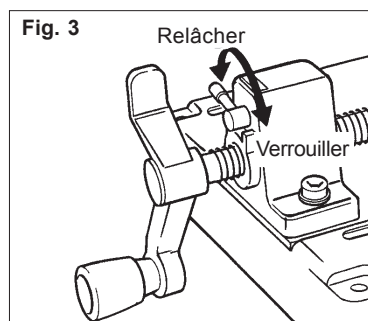
La prudence: Garder le doigt éloigné des dents aigus.

5. Ramene en arrière la garde plus basse et enlève la vis de lame, la rondelle de ressort, la rondelle, la bride et la lame extérieures (si elle est installée).
6. Vérifiez les deux (2) joues de la lame pour vous assurer qu'elles sont en bon état. Enlevez toute entaille ou bavure, qui pourrait entraîner une pression de coupe inégale et endommager la lame.

Vérifiez toujours si une lame n'est pas endommagée avant de l'installer. Remplacez immédiatement une lame endommagée.

7. Enlevez la lame, la joue extérieure, la rondelle, la rondelle grower et la vis de lame (Fig.1).
8. Appuyez sur le levier à verrou de la broche tout en serrant la vis de lame (sens horaire) avec la clé fournie.
9. Vérifier la roue la gratis rotation après l'installation.
10. Laissez la protection inférieure revenir à sa position d'origine.
11. Remettez dans son compartiment de rangement la clé fournie.

**L'utilisation du levier à dégagement rapide (Fig. 2)**

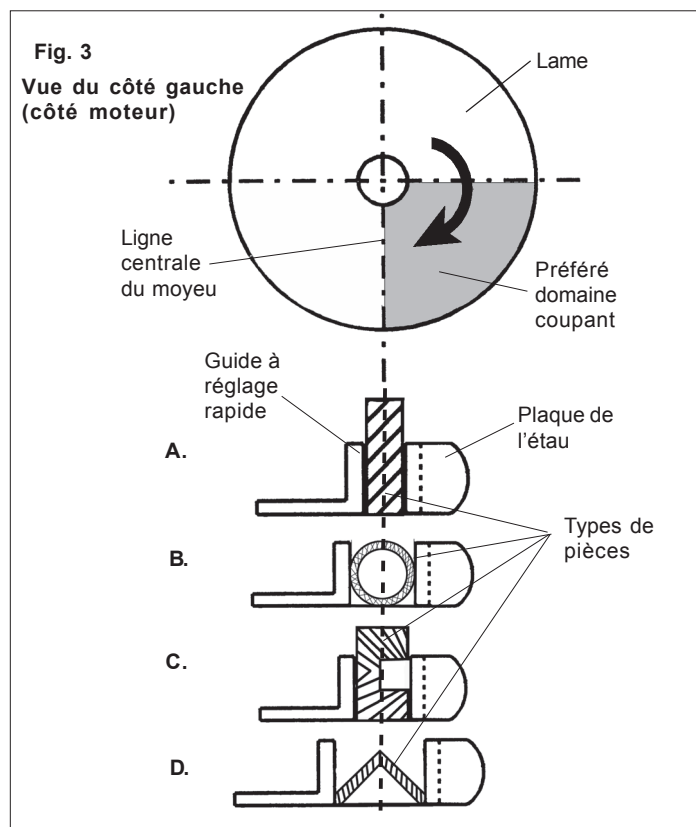


1. Pour relâcher le levier à dégagement rapide, tourner le levier entièrement à gauche.
2. Pour verrouiller le levier à dégagement rapide, tourner le levier entièrement à la droite.

**Soutien de la pièce et réglage du système d'étau et de guidage (Figs. 3 et 4)**

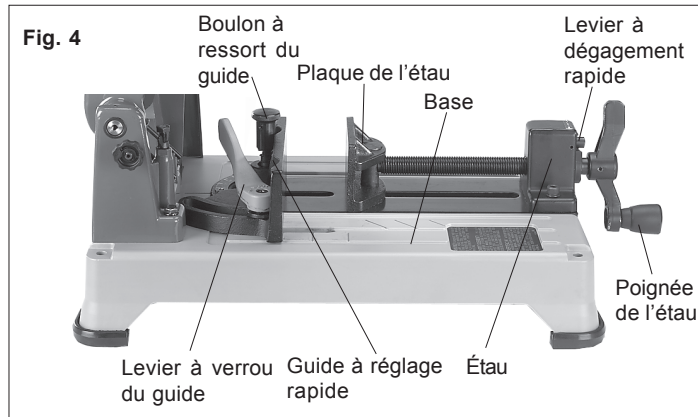
Le système d'étau et de guidage réglable maintient la pièce dans la position voulue. La plaque de l'étau et le guide peuvent être avancés ou reculés pour être réglés à un angle pouvant varier entre 90° et 45°.

En ajustant le système, l'étau et la clôture devrait être si disposé la ligne centrale du moyeu de lame est dans la ligne avec ou derrière la ligne centrale de la pièce de fabrication (Fig. 3). La pièce doit être placée à égalité avec la base de l'outil.



Pour régler le système d'étau et de guide sur une pièce particulière :

1. Faites tourner le levier à dégageur rapide complètement vers la gauche, à sa position de « dégageur ». L'étau est alors dégageur des filets (Fig. 4).



2. Desserrez le levier de verrouillage qui maintient le guide fermement en position.
3. Poussez vers le bas le boulon à ressort du guide et déplacez le guide à réglage rapide dans une des trois positions possibles.
4. Dégageur le boulon à ressort du guide. Lorsqu'il est correctement engagé, le guide doit s'enclencher en position. Si le guide n'est pas entièrement engagé dans sa position, déplacez-le manuellement vers l'avant et vers l'arrière jusqu'à ce qu'ils s'enclenche. Si le guide ne s'enclenche toujours pas, répétez l'étape 3.
5. Réglez le guide à l'angle voulu et serrez le levier à verrou du guide.
6. Réglez la plaqué de l'étau en déplaçant la poignée de l'étau vers l'intérieur ou l'extérieur pour qu'elle s'ajuste à la pièce.
7. Faites tourner le levier à dégageur rapide vers la droite, à sa position de « verrouillage ». Ceci engage les filets et verrouille l'étau. Pour verrouiller complètement l'étau, tournez sa poignée dans le sens horaire jusqu'à ce que la pièce soit fixée correctement.

#### Sélection d'une pièce

La machine de coupe à sec de 14" (355 mm) de MILWAUKEE est conçue pour couper plusieurs types de métaux ferreux et non ferreux, incluant de l'acier doux, des éléments de charpente et des montants en acier. La coupe de matériaux durcis n'est pas recommandée, car elle peut réduire la durée de vie utile et la performance de la lame. La machine n'est pas recommandée pour couper le bois ou d'autres matériaux mous, ce qui pourrait également réduire sa performance.

#### Démarrage et arrêt de l'outil

1. Branchez l'outil.
2. Placez-vous hors de la ligne de coupe de la lame.
3. Pour mettre l'outil en marche, appuyez sur la gâchette.
4. Pour arrêter l'outil, relâchez la gâchette.



#### AVERTISSEMENT

Pour minimiser les risques de blessures, n'employez pas levier à verrou de la broche pour freiner la rotation de l'outil tandis qu'il est en usage qu'il tourne sur son axe.

#### Exécution d'une coupe

1. Débranchez l'outil.
2. Sélectionnez un angle de coupe et placez l'ensemble guide et étau selon le besoin, voir « Soutien de la pièce et réglage du système d'étau et de guidage ».
3. Placez la pièce à plat sur la base de l'outil. Disposer la section la plus mince de la pièce de fabrication oriente vers l'haut. Tournez la poignée de l'étau dans le sens horaire jusqu'à ce que l'ensemble maintienne la pièce fermement.

**N.B.** Assurez-vous que le levier à dégageur rapide est complètement tourné à la position de « verrouillage ».

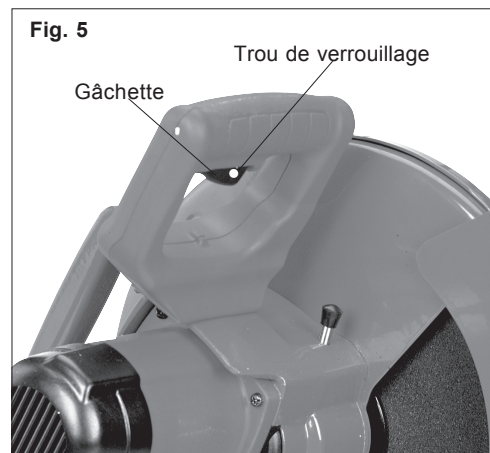
4. Vérifier plus bas garder pour la position et la opération.
5. Branchez l'outil, placez-vous hors de la ligne de coupe de la lame et appuyez sur la gâchette. Laissez l'outil atteindre sa vitesse maximale. Abaissez lentement la lame dans la pièce.

**N.B.** Commencez toujours à couper lentement, sans cogner la meule au départ de la coupe. Pour la coupe la plus sûre et la plus efficace, s'assure que la ligne centrale du moyeu de lame est dans la ligne avec ou derrière la ligne centrale de la pièce de fabrication, vers l'arrière de l'outil (Fig. 3). Pour maximiser la vie de lame, la force d'augmentation sur la poignée jusqu'à ce que les étincelles se baissent.

6. Une fois la coupe terminée, relevez complètement la lame hors de la pièce avant de relâcher la gâchette et de laisser le moteur s'arrêter.
7. Lors d'un redémarrage à mi-coupe. Si vous arrêtez l'outil à mi-coupe, laissez la lame s'arrêter puis retirez-la de la saignée de coupe. Redémarrez ensuite l'outil.
8. Si la lame se bloque, n'appuyez pas sur la gâchette. Une lame émoussée ou une pression excessive peut provoquer un blocage. Relâchez la gâchette immédiatement si la lame se coince ou si l'outil se bloque, et retirez la lame de la saignée de coupe.

#### L'utilisation du trou de serrure-hors (Fig. 5)

Insérer un cadenas par le trou de serrure-hors pour empêcher l'outil du commencer sans le vouloir.



## MAINTENANCE



### AVERTISSEMENT

**Pour minimiser les risques de blessures, débranchez toujours l'outil avant d'y effectuer des travaux de maintenance. Ne faites pas vous-même le démontage de l'outil ni le rebobinage du système électrique. Consultez un centre de service MILWAUKEE accrédité pour toutes les réparations.**

#### Entretien de l'outil

Gardez l'outil en bon état en adoptant un programme d'entretien ponctuel. Avant de vous en servir, examinez son état en général. Inspectez-en la garde, interrupteur, cordon et cordon de rallonge pour en déceler les défauts. Vérifiez le serrage des vis, l'alignement et le jeu des pièces mobiles, les vices de montage, bris de pièces et toute autre condition pouvant en rendre le fonctionnement dangereux. Si un bruit ou une vibration insolite survient, arrêtez immédiatement l'outil et faites-le vérifier avant de vous en servir de nouveau. N'utilisez pas un outil défectueux. Fixez-y une étiquette marquée « HORS D'USAGE » jusqu'à ce qu'il soit réparé (voir « Réparations »).

Normalement, il ne sera pas nécessaire de lubrifier l'outil avant que le temps ne soit venu de remplacer les balais. Après une période pouvant aller de 6 mois à un an, selon l'usage, retournez votre outil à un centre de service MILWAUKEE accrédité pour obtenir les services suivants :

- Lubrification
- Inspection et remplacement des balais
- Inspection et nettoyage de la mécanique (engrenages, pivots, coussinets, boîtier etc.)
- Inspection électrique (interrupteur, cordon, induit etc.)
- Vérification du fonctionnement électromécanique



### AVERTISSEMENT

**Pour minimiser les risques de blessures, choc électrique et dommage à l'outil, n'immergez jamais l'outil et ne laissez pas de liquide s'y infiltrer.**

#### Nettoyage

Débarassez les événements des débris et de la poussière. Gardez les poignées de l'outil propres, à sec et exemptes d'huile ou de graisse. Le nettoyage de l'outil doit se faire avec un linge humide et un savon doux. Certains nettoyants tels l'essence, la térébenthine, les diluants à laque ou à peinture, les solvants chlorés, l'ammoniaque et les détergents d'usage domestique qui en contiennent pourraient détériorer le plastique et l'isolation des pièces. Ne laissez jamais de solvants inflammables ou combustibles auprès des outils.

#### Réparations

Si votre outil est endommagé, retournez l'outil entier au centre de maintenance le plus proche.

## ACCESSOIRES



### AVERTISSEMENT

**Pour minimiser les risques de blessures, débranchez toujours l'outil avant d'y installer ou d'en enlever les accessoires. L'emploi d'accessoires autres que ceux qui sont expressément recommandés pour cet outil peut présenter des risques.**

Pour une liste complète des accessoires, prière de se reporter au catalogue MILWAUKEE Electric Tool ou visiter le site internet [www.milwaukeetool.com](http://www.milwaukeetool.com). Pour obtenir un catalogue, il suffit de contacter votre distributeur local ou l'un des centres-service.

## GARANTIE LIMITÉE DE L'OUTIL DE CINQ ANS

Chaque outil électrique MILWAUKEE (y compris le chargeur de batterie) est garanti à l'acheteur d'origine être exempt de vice du matériau et de fabrication. Sous réserve de certaines exceptions, MILWAUKEE réparera ou remplacera toute pièce d'un outil électrique qui, après examen, sera avéré par MILWAUKEE être affecté d'un vice du matériau ou de fabrication pendant une période de cinq (5) ans\* après la date d'achat. Le retour de l'outil électrique, accompagné d'une copie de la preuve d'achat à un site d'entretien d'usine/de promotion des ventes de MILWAUKEE ou à un poste d'entretien agréé MILWAUKEE, en port prépayé et assuré, est requis pour que cette garantie s'applique. Cette garantie ne couvre pas les dommages que MILWAUKEE détermine être causés par des réparations ou des tentatives de réparation par quiconque autre que le personnel agréé par MILWAUKEE, des utilisations incorrectes, des altérations, des utilisations abusives, une usure normale, une carence d'entretien ou les accidents.

\* La période de garantie pour les palans (palans à levier, à chaîne manuelle et à chaîne électrique), tous les blocs de batteries au NiCd, les projecteurs de travail (lampes torches sans fil), les radios de chantier et les chariots de travail industriels Trade Titan™ est d'un (1) an à partir de la date d'achat. \*La période de garantie pour les blocs de batteries au lithium-ion qui ne sont pas équipés de la technologie V™ (entre 4 et 18 volts) est de deux (2) ans à partir de la date d'achat.

\*Il existe une garantie séparée pour les blocs de batteries au lithium-ion avec technologie V™ de 18 volts et plus qui accompagnent les outils électriques sans fil de technologie V™ :

\*Chaque batterie au lithium-ion 18 volts ou plus de technologie MILWAUKEE V™ est couverte par une garantie de remplacement gratuit initial pour 1 000 charges/2 ans. Ceci signifie qu'avant les 1 000 premières charges ou deux (2) années suivant la date d'achat/la première charge, une batterie de rechange sera fournie gratuitement au client pour toute batterie défectueuse. Par la suite, les clients recevront aussi une garantie supplémentaire calculée au prorata dans la limite de 2 000 charges ou cinq (5) années suivant la date d'achat/la première charge, à la première échéance. Ceci signifie que chaque client obtient une garantie au prorata supplémentaire de 1 000 charges ou de trois (3) années sur les batteries au lithium-ion 18 volts ou plus de technologie V™ en fonction de l'utilisation. Pendant cette période de garantie supplémentaire, le client ne paye que pour le service utilisable reçu au-delà des 1 000 premières charges/2 premières années, en fonction de la date de la première charge et du nombre de charges des batteries déterminés par le lecteur de service MILWAUKEE de technologie V™.

L'enregistrement de la garantie n'est pas nécessaire pour bénéficier de la garantie en vigueur sur un produit MILWAUKEE. Une preuve d'achat sous la forme d'un reçu de vente ou d'autres informations considérées suffisantes par MILWAUKEE est cependant requise.

L'ACCEPTATION DES RECOURS EXCLUSIFS DE RÉPARATION ET DE REMPLACEMENT DÉCRITS PAR LES PRÉSENTES EST UNE CONDITION DU CONTRAT D'ACHAT DE TOUT PRODUIT MILWAUKEE. SI VOUS N'ACCEPTEZ PAS CETTE CONDITION, VOUS NE DEVEZ PAS ACHETER LE PRODUIT. EN AUCUN CAS MILWAUKEE NE SAURAIT ÊTRE RESPONSABLE DE TOUT DOMMAGE ACCESSOIRE, SPÉCIAL OU INDIRECT, DE DOMMAGES-INTÉRÊTS PUNITIFS OU DE TOUTE DÉPENSE, D'HONORAIRES D'AVOCATS, DE FRAIS, DE PERTE OU DE DÉLAIS ACCESSOIRES À TOUT DOMMAGE, DÉFAILLANCE OU DÉFAUT DE TOUT PRODUIT, Y COMPRIS NOTAMMENT LES PERTES DE PROFIT. CETTE GARANTIE EST EXCLUSIVE ET REMPLACE TOUTE AUTRE GARANTIE OU CONDITION, ÉCRITE OU VERBALE, EXPRESSE OU IMPLICITE. SANS LIMITER LA GÉNÉRALITÉ DES DISPOSITIONS PRÉCÉDENTES, MILWAUKEE DÉCLINE TOUTE GARANTIE IMPLICITE DE QUALITÉ MARCHANDE OU D'ADAPTATION À UNE UTILISATION OU À UNE FIN PARTICULIÈRE ET TOUTE AUTRE GARANTIE.

Cette garantie s'applique aux produits vendus aux États-Unis, au Canada et au Mexique uniquement.

## INSTRUCCIONES GENERALES DE SEGURIDAD



### ADVERTENCIA

#### LEA Y ENTIENDA TODAS LAS INSTRUCCIONES


Se debe seguir todas las instrucciones a continuación para evitar una descarga eléctrica, incendio y/o lesiones graves.

#### GUARDE ESTAS INSTRUCCIONES

### AREA DE TRABAJO

1. **Mantenga limpia y bien iluminada el area detrabajo.** Las áreas desordenadas y oscuras favorecen los accidentes.
2. **Evite ambientes peligrosos.** No utilice ni exponga sus herramientas en la lluvia o en lugares mojados. No utilice su herramienta en atmósferas explosivas (con líquidos, gases o substancias inflamables). Retire del area materiales o residuos que puedan incendiarse con chispas.
3. **Mantenga alejadas a las personas.** Mantenga a distancia segura del area de trabajo, tanto a niños como a visitantes. No permita que personas ajenas distraigan al usuario ni toquen su herramienta o sus extensiones eléctricas.
4. **Proteja a los demas en el area de trabajo** de accidentes con rebabas y chispas eléctricas. Coloque barreras y escudos según sea necesario.
5. **Prepare su taller a prueba de niños** instalando seguros, interruptores maestros o quitando las llaves de encendido de las herramientas.

### SEGURIDADELECTRICA

6. **Las herramientas conectadas a tierra deben estar enchufadas en un toma corriente que esté instalado correctamente y conectado a tierra de acuerdo con todos los códigos y ordenanzas vigentes.** Nunca retire la clavija de conexión a tierra o modifique el enchufe de ninguna manera. No use enchufes adaptadores. Consulte a un electricista capacitado si tiene dudas para asegurar que el tomacorriente esté correctamente conectado a tierra. Si las herramientas sufren fallas eléctricas, la conexión a tierra proporciona una trayectoria de baja resistencia para que el usuario no quede expuesto a la electricidad.
7. **Las herramientas con aislamiento doble están equipadas con un enchufe polarizado (una clavija es más ancha que la otra). Hay una sola manera de introducir este enchufe en una toma polarizada. Si el enchufe no se ajusta completamente en la toma, dé vuelta el enchufe. Si el problema persiste, póngase en contacto con un electricista calificado para que instale una toma polarizada. No cambie la toma de ninguna manera.** El aislamiento doble  elimina la necesidad de un cable de energía con conexión a tierra con 3 alambres y la de un sistema de suministro de energía con conexión a tierra.
8. **Protejase contra descargas electricas.** Evite el contacto personal con superficies "a tierra" tales como tuberías, radiadores, estufas y refrigeradores. Cuando vaya a realizar un corte "ciego", asegúrese de revisar el área de trabajo en busca de cables o tuberías. Sujete su herramienta de las superficies aislantes no metálicas. Use un interruptor para conexiones fallidas "a tierra" (GFCI) para reducir el riesgo de una descarga.
9. **No exponga su herramienta a la lluvia ni la use en sitios mojados o inundados.**

10. **No maltrate el cable. Nunca use el cable para transportar las herramientas ni para sacar el enchufe de la toma eléctrica. Mantenga el cable lejos de calefacción, petróleo, bordes afilados o cualquier parte movable. Reemplace inmediatamente cualquier cable dañado.** Los cables dañados aumentan el riesgo de choque eléctrico.

### SEGURIDADPERSONAL

11. **Conozca su herramienta.** Lea al detalle este manual del operario para que conozca las aplicaciones y limitaciones, al igual que los riesgos potenciales que ofrece una herramienta de este tipo.
12. **Este alerta. Revise su trabajo y use el sentido común. No opere su herramienta cuando esté cansado, distraído o bajo la influencia de drogas, alcohol o cualquier medicina que cause reducción del control.**
13. **Utilice ropa adecuada.** No use ropa suelta o joyería. Use un gorro que recoja el cabello largo y suelto ya que este puede ser atrapado por partes móviles. Cuando trabaje en el exterior use guantes de hule y zapatillas aislantes. Mantenga las manos y los guantes lejos de partes móviles.
14. **Evite arranques accidentales.** Antes de enchufar la herramienta asegúrese de que se encuentra apagada. No utilice la herramienta si tiene el interruptor dañado y éste no enciende ni apaga la herramienta correctamente. No cargue ni transporte una herramienta conectada, con el dedo colocado en el interruptor.
15. **Retire todas las llaves y calibradores.** Hágase el hábito de verificar que todas las llaves, calibradores, etc. hayan sido removidas de la herramienta antes de operarla.
16. **No se force, mantenga el control.** Mantenga siempre una postura y un balance adecuado. Mantenga bien sujeta su herramienta. Extremee sus precauciones cuando use herramientas en escaleras, techos, áticos, andamios, etc.
17. **Utilice equipo de seguridad.** Todas las personas que se encuentren en el área de trabajo **deberán utilizar anteojos de seguridad o anteojos con protectores laterales que cumplan con las normas de seguridad en vigencia.** Los anteojos normales tienen lentes que son sólo resistentes al impacto pero no son, en modo alguno, lentes de seguridad. Cuando permanezca en el área de trabajo durante periodos prolongados utilice protectores para los oídos. Use también una máscara contra polvo al realizar operaciones donde predominen esas condiciones. Siempre que así se especifique o se exija deberán utilizarse cascos protectores, máscaras protectoras, zapatos de seguridad, etc. Mantenga un extintor de incendios siempre a la mano.
18. **Mantenga las guardas en su lugar** y en condiciones de operación.
19. **No se coloque sobre la herramienta.** Pueden ocurrir serios accidentes si se golpea accidentalmente la herramienta o si se hace contacto no intencional con alguna parte cortante de la misma.
20. **Mantenga las manos retiradas de orillas cortantes y partes en movimiento.**



## EL USO Y MANTENIMIENTO DE LA HERRAMIENTA

21. **Asegure el trabajo.** Use pinzas, sujetadores u otros medios prácticos para asegurar el trabajo. De esta manera tendrá libres ambas manos para operar y controlar la herramienta.
22. **No force su herramienta.** Desarrollará su trabajo mejor y más seguramente si la opera dentro del rango para el que está diseñada. Forzándola solamente causará fatiga al operario, mayor desgaste y menor control.
23. **Utilice la herramienta adecuada.** No utilice una herramienta o accesorio para hacer trabajos para los que no está diseñada ni recomendada. Como por ejemplo, usar una sierra circular para cortar troncos de árbol. No altere la herramienta.
24. **Desconecte la herramienta** cuando no se esté usando, cuando le cambie algún accesorio o le esté dando algún tipo de mantenimiento recomendado.
25. **Proteja su herramienta cuando no la use.** Cuando no la utilice, manténgala guardada en un lugar seco, alto y cerrado, lejos del alcance de los niños.
26. **Nunca deje sola una herramienta que este operando.** Desconéctela siempre. No se separe de la herramienta hasta que esta se haya detenido por completo.
27. **Busque partes dañadas.** Revise las guardas y otras partes antes de usar la herramienta. Busque partes móviles que estén dobladas, mal alineadas, mal montadas, rotas o que presenten cualquier otra condición que pueda afectar la operación. Si se detecta algún ruido o vibración anormal, apague de inmediato la herramienta y solucione el problema antes de volverla a usar. No use una herramienta dañada. Coloque una etiqueta indicando "NO DEBE USARSE", hasta que sea reparada. Las guardas o cualquier otra parte dañada deberá ser adecuadamente reparada o reemplazada por un Centro de Servicio *MILWAUKEE*. En todas las reparaciones insista en que se coloquen partes idénticas y originales.
28. **Utilice los accesorios correctos.** Consulte este manual para saber cuáles son los accesorios correctos; puede ser peligroso utilizar accesorios incorrectos. Asegúrese de que los accesorios se encuentran bien instalados y han recibido el mantenimiento adecuado. No olvide poner los protectores o dispositivos de seguridad al instalar un accesorio.
29. **Mantenga su herramienta con cuidado.** Mantenga los mangos secos, limpios y sin aceite ni grasa. Mantenga los filos de corte afilados y limpios. Siga siempre las instrucciones para lubricación y cambio de accesorios. Revise periódicamente el cable y las extensiones en busca de daños. Las partes dañadas deberán ser reparadas o cambiadas por un Centro de Servicio Autorizado *MILWAUKEE*.
30. **Mantenga las etiquetas y la placa de especificaciones.** Estas incluyen información muy importante. Si se llegan a dañar y no son legibles, contacte un Centro de Servicio *MILWAUKEE* para que las cambien sin costo.

## SERVICIO

31. **El servicio de mantenimiento debe ser realizado solamente por personal técnico debidamente capacitado.** El servicio o mantenimiento realizado por personal no calificado puede aumentar el riesgo de lesiones.
32. **Cuando realice el servicio de mantenimiento, utilice solamente repuestos idénticos. siga las instrucciones en la sección de mantenimiento de este manual.** El uso de partes no autorizadas o el incumplimiento de las instrucciones de mantenimiento puede aumentar el riesgo de descarga eléctrica o lesiones.

## INSTRUCCIONES ESPECIFICAS DE SEGURIDAD – CORTADORA EN SECO



### ADVERTENCIA

Para reducir el riesgo de lesión, evite inhalar el polvo generado por la abrasión y las operaciones de corte. El exponerse a este tipo de polvo puede causar enfermedades respiratorias. Use respiradores aprobados por NIOSH o OSHA. Use también anteojos de seguridad y caretas de protección, al igual que guantes y ropa de seguridad. Logre una ventilación adecuada con el objeto de eliminar el polvo o para mantenerlo debajo del límite de seguridad recomendado por OSHA.

**¡ADVERTENCIA!** Algunas partículas de polvo resultantes del lijado mecánico, aserrado, esmerilado, taladrado y otras actividades relacionadas a la construcción, contienen sustancias químicas que se saben ocasionan cáncer, defectos congénitos u otros daños al aparato reproductivo. A continuación se citan algunos ejemplos de tales sustancias químicas:

- plomo proveniente de pinturas con base de plomo
- sílice cristalino proveniente de ladrillos, cemento y otros productos de albañilería y
- arsénico y cromo provenientes de madera químicamente tratada.

El riesgo que usted sufre debido a la exposición varía dependiendo de la frecuencia con la que usted realiza estas tareas. Para reducir la exposición a estas sustancias químicas: trabaje en un área bien ventilada, y utilice equipo de seguridad aprobado como, por ejemplo, máscaras contra el polvo que hayan sido específicamente diseñadas para filtrar partículas microscópicas.

#### Instrucciones referentes a la cuchilla

1. No permita que la cuchilla se tuerza o se atore.
2. Mantenga las manos y el cuerpo alejados de las cuchillas giratorias. Nunca trate de alcanzar alrededor, por debajo o sobre la hoja. No use ropa suelta cuando trabaje con esta herramienta.
3. Guarde las cuchillas con cuidado. No las deje caer.
4. Asegúrese de que todas las bridas de la cuchilla y otros accesorios de montaje se encuentren en buen estado y se usen correctamente. Las piezas defectuosas o que falten pueden dañar las cuchillas. Siempre use las bridas de montaje suministradas con la herramienta.
5. No use cuchillas desafiladas o dañadas. Las cuchillas desafiladas o con triscado erróneo producen una ranura delgada que ocasiona fricción excesiva, atoramiento de la cuchilla y contragolpe.
6. Antes de comenzar a cortar, realice un funcionamiento de prueba. La cuchilla deberá girar libremente y no entrar en contacto con la mesa.
7. Nunca trate de remover o sujetar la pieza de trabajo a la herramienta mientras la cuchilla esté girando.
8. Antes de instalar una cuchilla, siempre inspecciónela para determinar si tiene daños. Reemplace las cuchillas dañadas inmediatamente.
9. Revise siempre la velocidad máxima de operación establecida para la cuchilla con la velocidad de la máquina. No exceda la velocidad máxima de operación indicada en la cuchilla.
10. No fuerce una cuchilla en la máquina ni altere el tamaño del orificio del árbol. No use una cuchilla que se ajuste al árbol de manera holgada. Si la cuchilla no se ajusta a la máquina, obtenga una que sí se ajuste.
11. No use muelas abrasivas.







#### Instrucciones referentes a la máquina

1. Comience la operación de corte sólo después que el motor haya alcanzado la velocidad plena.
2. Suelte el interruptor inmediatamente si la cuchilla deja de girar o si el sonido del motor indica esfuerzo.
3. Mantenga los objetos inflamables y frágiles lejos de esta herramienta. No deje que las chispas de corte entren en contacto con las manos, la cara o los pies del operador.
4. Coloque la herramienta sobre una superficie plana y nivelada de manera segura.
5. Siempre use la herramienta con el voltaje apropiado indicado en la placa de especificaciones.
6. Nunca toque una pieza corta recortada hasta que se enfríe.
7. Nunca intente recortar material más grande que la capacidad nominal indicada en la sección "Especificaciones".
8. Nunca se pare en línea con la cuchilla mientras realiza un corte. Párese siempre al lado.
9. Verifique las guardas antes de cada uso.
10. Siempre mantenga las guardas de protección en su lugar.
11. No destruya las guardas. La herramienta se envía con las guardas superior e inferior instaladas. La guarda inferior deberá cubrir la cuchilla cuando el cabezal de la sierra se encuentre elevado y deberá abrir automáticamente cuando el cabezal de la sierra descienda en la pieza de trabajo. Si la guarda inferior parece estar suelta o si no se mueve para cubrir la cuchilla cuando el cabezal se encuentre elevado, lleve la sierra a un centro de servicio autorizado para que la reparen. No intente abrir la guarda más de lo que permita la acción automática. La herramienta ha sido diseñada de manera que cuando la guarda abra con el cabezal de la sierra elevado, el cabezal de la sierra no pueda descender.
12. Siempre comience la operación de corte suavemente. No golpee una cuchilla para comenzar a cortar.
13. Nunca haga cortes a manos libres. Cuando realice cortes, coloque siempre la pieza de trabajo entre el tornillo de banco y la guía.

## Especificaciones de la cortadora en seco

Cat. No.	Cuchilla de la sierra	RPM	Volts ca/cd	A	Tamaño del Orificio del Árbol	Configuraciones de la Pieza de Trabajo (Sección Transversal)		
						Material Rectangular	Tubería de Diámetro Externo	Tubería Cuadrada
6190-20	355 mm (14")	1 500	120	15	25 mm (1")	101 mm x 190 mm (4" x 7-1/2")	136 mm (5-3/8")	127 mm x 127 mm (5" x 5")

### Simbología

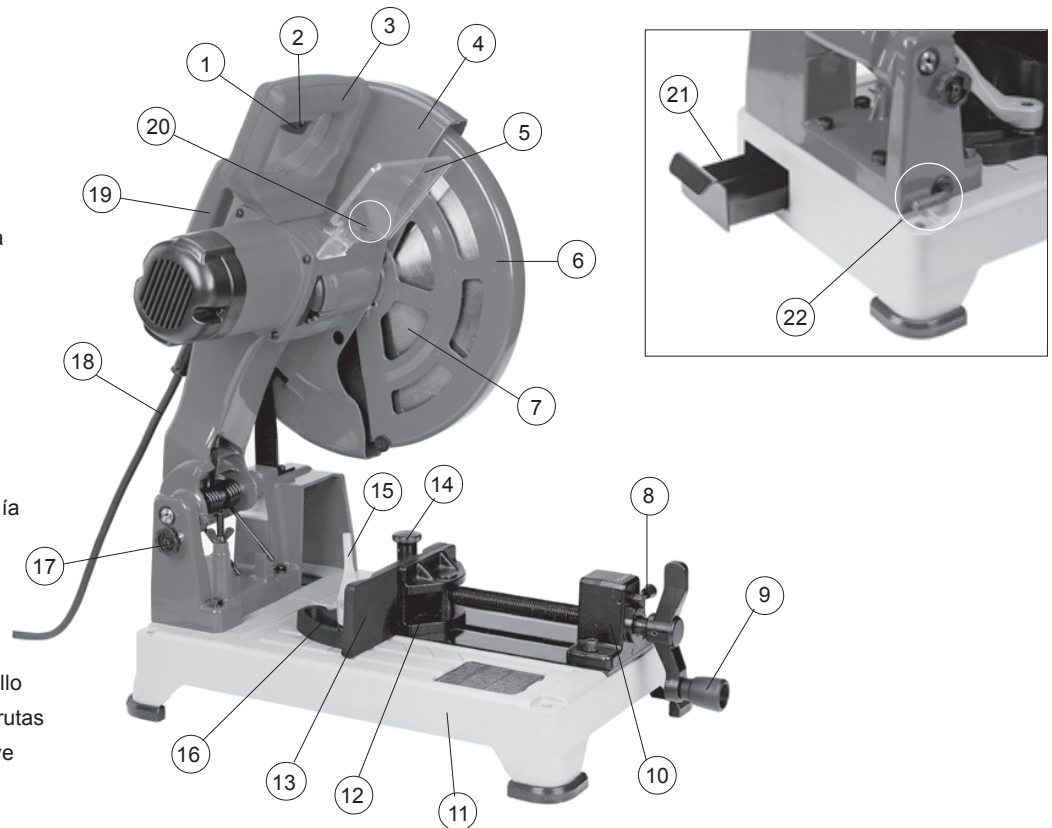
	Doble aislamiento
	Volts corriente alterna/ corriente directa
	Amperios
	No de revoluciones de carga por minuto (RPM)
	Underwriters Laboratories, Inc.
	Asociación de Normas Canadiense

### Especificaciones de la cuchilla

Tamaño del Disco	Minimas rpm del Disco	Entrada de Flecha
355 mm (14")	1 800	25 mm (1")

## DESCRIPCIÓN FUNCIONAL

1. Gatillo
2. Orificio de bloqueo
3. Mango
4. Guarda superior
5. Protección transparente
6. Guarda inferior
7. Cuchilla de la sierra
8. Palanca de liberación rápida
9. Mango del tornillo de banco
10. Tornillo de banco
11. Base
12. Placa del tornillo de banco
13. Guía de ajuste rápido
14. Perno de guía accionado por resorte
15. Palanca de bloqueo de la guía
16. Indicador de ángulo
17. Bloqueo de transporte
18. Cordón
19. Mango de transporte
20. Palanca de bloqueo del husillo
21. Bandeja de recolección de virutas
22. Almacenamiento para la llave



## TIERRA



### ADVERTENCIA

Puede haber riesgo de descarga eléctrica si se conecta el cable de conexión de puesta a tierra incorrectamente. Consulte con un electricista certificado si tiene dudas respecto a la conexión de puesta a tierra del tomacorriente. No modifique el enchufe que se proporciona con la herramienta. Nunca retire la clavija de conexión de puesta a tierra del enchufe. No use la herramienta si el cable o el enchufe está dañado. Si está dañado antes de usarlo, llévalo a un centro de servicio **MILWAUKEE** para que lo reparen. Si el enchufe no se acopla al tomacorriente, haga que un electricista certificado instale un tomacorriente adecuado.

#### Herramientas con conexión a tierra: Herramientas con enchufes de tres clavijas

Las herramientas marcadas con la frase "Se requiere conexión de puesta a tierra" tienen un cable de tres hilos y enchufes de conexión de puesta a tierra de tres clavijas. El enchufe debe conectarse a un tomacorriente debidamente conectado a tierra (véase la Figura A). Si la herramienta se averiara o no funcionara correctamente, la conexión de puesta a tierra proporciona un trayecto de baja resistencia para desviar la corriente eléctrica de la trayectoria del usuario, reduciendo de este modo el riesgo de descarga eléctrica.

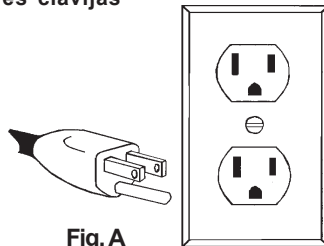


Fig. A

La clavija de conexión de puesta a tierra en el enchufe está conectada al sistema de conexión de puesta a tierra de la herramienta a través del hilo verde dentro del cable. El hilo verde debe ser el único hilo conectado al sistema de conexión de puesta a tierra de la herramienta y nunca se debe unir a una terminal energizada.

Su herramienta debe estar enchufada en un tomacorriente apropiado, correctamente instalado y conectado a tierra según todos los códigos y reglamentos. El enchufe y el tomacorriente deben asemejarse a los de la Figura A.

#### Herramientas con doble aislamiento: Herramientas con clavijas de dos patas

Las herramientas marcadas con "Doble aislamiento" no requieren conectarse "a tierra". Estas herramientas tienen un sistema aislante que satisface los estándares de OSHA y llena los estándares aplicables de UL (Underwriters Laboratories), de la Asociación Canadiense de Estándares (CSA) y el Código Nacional de Electricidad. Las herramientas con doble aislamiento pueden ser usadas en cualquiera de los toma corriente de 120 Volt mostrados en las Figuras B y C.

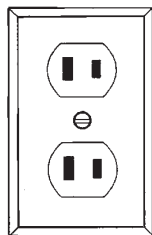


Fig. B

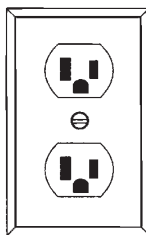


Fig. C

## EXTENSIONES ELÉCTRICAS

Las herramientas que deben conectarse a tierra cuentan con clavijas de tres patas y requieren que las extensiones que se utilicen con ellas sean también de tres cables. Las herramientas con doble aislamiento y clavijas de dos patas pueden utilizarse indistintamente con extensiones de dos a tres cables. El calibre de la extensión depende de la distancia que exista entre la toma de la corriente y el sitio donde se utilice la herramienta. El uso de extensiones inadecuadas puede causar serias caídas en el voltaje, resultando en pérdida de potencia y posible daño a la herramienta. La tabla que aquí se ilustra sirve de guía para la adecuada selección de la extensión.

Mientras menor sea el número del calibre del cable, mayor será la capacidad del mismo. Por ejemplo, un cable calibre 14 puede transportar una corriente mayor que un cable calibre 16. Cuando use más de una extensión para lograr el largo deseado, asegúrese que cada una tenga al menos, el mínimo tamaño de cable requerido. Si está usando un cable de extensión para más de una herramienta, sume los amperes de las varias placas y use la suma para determinar el tamaño mínimo del cable de extensión.

#### Guías para el uso de cables de extensión

- Si está usando un cable de extensión en sitios al aire libre, asegúrese que está marcado con el sufijo "W-A" ("W" en Canadá) el cual indica que puede ser usado al aire libre.
- Asegúrese que su cable de extensión está correctamente cableado y en buenas condiciones eléctricas. Cambie siempre una extensión dañada o hágala reparar por una persona calificada antes de volver a usarla.
- Proteja su extensión eléctrica de objetos cortantes, calor excesivo o áreas mojadas.

#### Calibre mínimo recomendado para cables de extensiones eléctricas\*

Amperes (En la placa)	Largo de cable de Extensión en(m)					
	7,6	15,2	22,8	30,4	45,7	60,9
0 - 5,0	16	16	16	14	12	12
5,1 - 8,0	16	16	14	12	10	--
8,1 - 12,0	14	14	12	10	--	--
12,1 - 15,0	12	12	10	10	--	--
15,1 - 20,0	10	10	10	--	--	--

\* Basado en limitar la caída en el voltaje a 5 volts al 150% de los amperes.

**LEA Y GUARDE TODAS LAS INSTRUCCIONES PARA FUTURAS REFERENCIAS.**

**ADVERTENCIA**

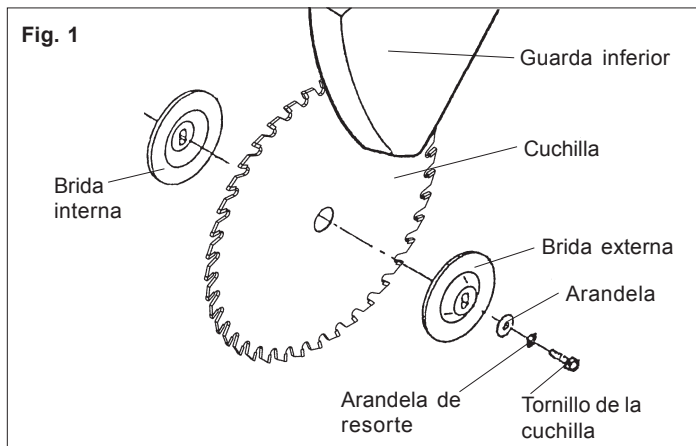
A fin de reducir el riesgo de lesionarse, desenchufe siempre la herramienta antes de colocar o retirar accesorios. Utilice únicamente accesorios específicamente recomendados. El uso de accesorios no recomendados podría resultar peligroso.

**Cómo usar el bloqueo de transporte**

El bloqueo de transporte bloquea el mango para transportar y almacenar la herramienta. Para liberar el bloqueo de transporte, empuje el mango hacia abajo y tire del bloqueo de transporte hacia fuera. Para bloquear el bloqueo de transporte, empuje el mango hacia abajo y empuje el bloqueo de transporte hacia dentro.

**Cómo extraer e instalar las cuchillas (Fig. 1)**

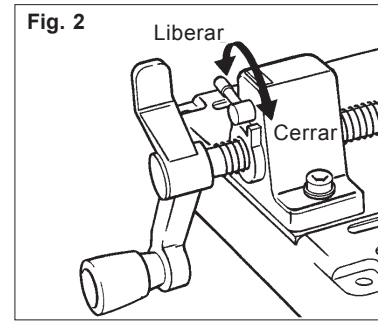
MILWAUKEE recomienda utilizar únicamente cuchillas para corte en seco MILWAUKEE de 14" (355 mm). Antes de hacer funcionar la herramienta, asegúrese que la cuchilla se encuentre en buenas condiciones, tal como se describe en la sección "Instrucciones Específicas de Seguridad – Cortadora en Seco".



Para cambiar las cuchillas:

1. Desconecte la herramienta.
2. Suelte el bloqueo de transporte.
3. Afloje la palomilla en la puerta de guardia de spindal y gire la puerta para exponer la enramada de hoja y tornillo de hoja.
4. Oprima la palanca de bloqueo del husillo y afloje el tornillo de la cuchilla (en sentido contrario a las manecillas del reloj) con la llave suministrada.  
El cuidado: Mantenga el dedo lejos de dientes agudos.
5. Eche para atrás al guarda más bajo y quite el tornillo de hoja, arandela de primavera, la arandela, reborde y hoja exteriores (de encontrarse instalada).
6. Verifique las dos (2) bridas de la cuchilla para asegurarse que se encuentren en buen estado. Extraiga cualquier mella o rebaba, las cuales pueden ocasionar una presión desigual y daños a la cuchilla.  
Antes de instalar una cuchilla, siempre inspecciónela para determinar si tiene daños. Reemplace las cuchillas dañadas inmediatamente.
7. Vuelva a colocar la cuchilla, la brida externa, la arandela, la arandela de resorte y el tornillo de la cuchilla (Fig. 1).
8. Oprima la palanca de bloqueo del husillo mientras aprieta el tornillo de la cuchilla (en el sentido de las manecillas del reloj) con la llave suministrada.
9. Verifique la rueda para la rotación libre después de la instalación.
10. Permita que la guarda inferior regrese a su posición original.
11. Guarde la llave en el almacenamiento para la llave.

**Usar la palanca de liberación rápida (Fig. 2)**

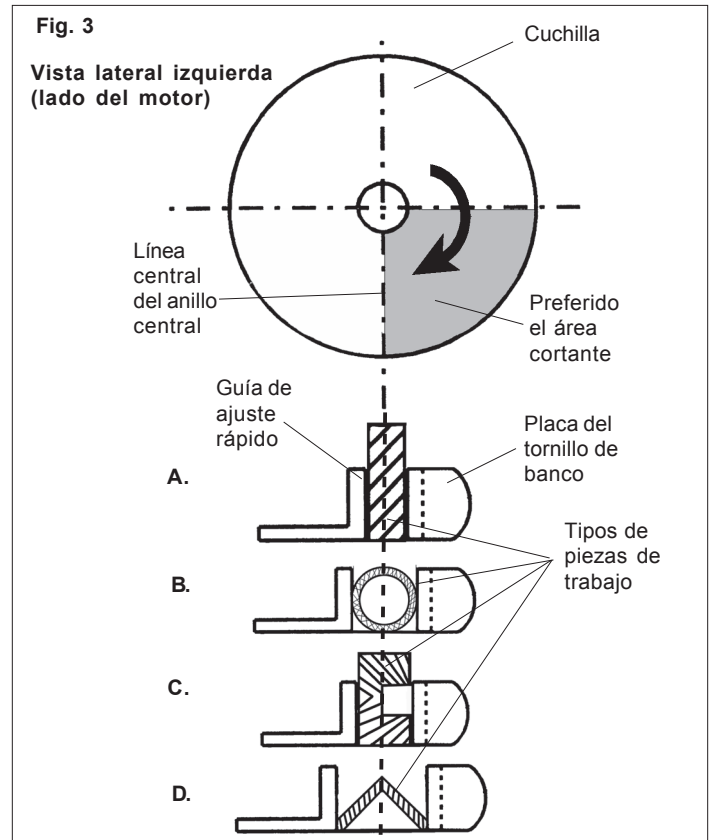


1. Para liberar la palanca de liberación rápida, gire la palanca completamente a la izquierda.
2. Para cerrar la palanca de liberación rápida, gire la palanca completamente a la derecha.

**Cómo apoyar la pieza de trabajo y ajustar el sistema de tornillo de banco y guía (Figs. 3 y 4)**

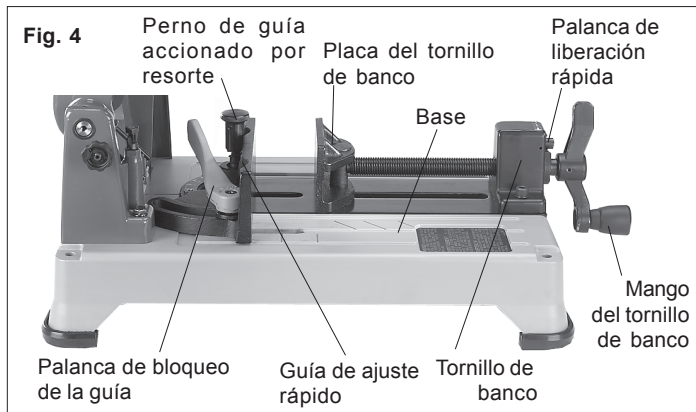
El sistema de tornillo de banco y guía mantiene la pieza de trabajo sujeta en la posición deseada. La placa del tornillo de banco y la guía pueden moverse hacia delante y hacia atrás, así como ajustarse a cualquier ángulo entre 90° y 45°.

Cuándo ajustar el sistema, el vicio y la cerca se deben posicionar así que la línea central del eje de la rueda esté a la par de o atrás la línea central del workpiece (Fig. 3). La pieza de trabajo debe descansar al ras con la base de la máquina.



Para ajustar el sistema de tornillo de banco y guía para una pieza de trabajo en particular, siga el procedimiento a continuación:

1. Gire la palanca de liberación rápida comnte hacia la izquierda a la posición "liberar". Esto desenganchará el tornillo de banco de las roscas (Fig. 4).



2. Afloje la palanca de bloqueo de la guía que mantiene la guía firmemente en su posición.
3. Oprima el perno de guía accionado por resorte y mueva la guía de ajuste rápido hacia una de las tres posiciones provistas.
4. Suelte el perno de guía accionado por resorte. Cuando se engancha correctamente, la guía deberá encajar en su posición. Si la guía no encaja completamente en su posición, muévala hacia atrás y hacia delante con la mano hasta que encaje en su posición. Si la guía no encaja en su posición, repita el paso 3.
5. Ajuste la guía al ángulo deseado y apriete la palanca de bloqueo de la guía.
6. Ajuste la placa del tornillo de banco moviendo el mango del tornillo de banco hacia dentro y hacia fuera según sea necesario para adaptarse a la pieza de trabajo.
7. Gire la palanca de liberación rápida hacia la derecha a la posición "bloquear". Esto enganchará las roscas y bloqueará el tornillo de banco. Para bloquear completamente el tornillo de banco, gire el mango del tornillo de banco en el sentido de las manecillas del reloj hasta que la pieza de trabajo quede asegurada de manera correcta.

#### Cómo seleccionar una pieza de trabajo

La Cortadora en seco de 14" (356 mm) de **MILWAUKEE** ha sido diseñada para cortar varios tipos de metales ferrosos y no ferrosos, incluyendo acero dulce, piezas estructurales y fijaciones de acero. No se recomienda para cortar materiales endurecidos, ya que podrían verse reducidos el rendimiento y la vida útil de la cuchilla. Esta máquina no se recomienda para cortar madera u otro tipo de material suave. Esto podría también reducir el rendimiento de la cuchilla."

#### Arranque y paro de la herramienta

1. Enchufe la herramienta.
2. Manténgase fuera de línea de la cuchilla.
3. Para arrancar la herramienta, oprima el gatillo.
4. Para detener la herramienta, suelte el gatillo.



#### ADVERTENCIA

**Para reducir el riesgo de daños a la herramienta, no utilice la palanca de bloqueo del husillo a modo de detener la flecha mientras la herramienta se encuentra en uso o marcha por inercia después de haber sido apagada.**

#### Cómo realizar un corte

1. Desconecte la herramienta.
2. Seleccione un ángulo de corte y coloque el conjunto de guía y tornillo de banco según sea necesario; consulte la sección "Cómo apoyar la pieza de trabajo y ajustar el sistema de tornillo de banco y guía".
3. Coloque la pieza de trabajo plana sobre la base de la máquina. Posicione la sección más delgada del workpiece frente a arriba. Gire el mango del tornillo de banco en el sentido de las manecillas del reloj hasta que el conjunto del tornillo de banco mantenga la pieza de trabajo sujeta firmemente en su posición.

**NOTA:** Asegúrese que la palanca de liberación rápida se haya girado completamente a la posición "bloquear".

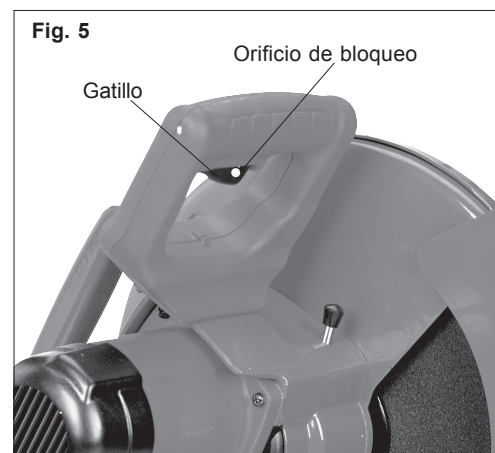
4. Verifique a guardia más bajo para la posición y la operación.
5. Enchufe la herramienta, manténgase fuera de la línea de la cuchilla y oprima el gatillo. Deje que el motor alcance la velocidad plena. Lentamente descienda la cuchilla en la pieza de trabajo.

**NOTA:** Siempre comience la operación de corte suavemente; no golpee una cuchilla cuando comience a realizar el corte. Para el más seguro y muy eficiente cortante, se cerciora que la línea central del eje de hoja está a la par de o atrás la línea central del workpiece, hacia el trasero del instrumento (Fig. 3). Para llevar al máximo la vida de hoja, la fuerza del aumento en el asidero hasta que las chispas bajen.

6. Cuando finalice el corte, eleve completamente la cuchilla de la pieza de trabajo antes de soltar el gatillo y permitir que el motor se detenga.
7. Al reanudar un corte. Si detiene la máquina durante un corte parcial, permita que la cuchilla se detenga, y extraiga la cuchilla levemente del corte. Luego, vuelva a arrancar la máquina.
8. Si la cuchilla se atora, no oprima el gatillo. Una cuchilla sin filo o el exceso de presión pueden hacer que se atasque. Suelte el gatillo de inmediato si la cuchilla se atora o la máquina se atasca y extraiga la cuchilla del corte.

#### Usar el hoyo de cierre patronal (Fig. 5)

Meta un candado por el hoyo de cierre patronal para prevenir la herramienta de comenzar involuntariamente.



## MANTENIMIENTO



### ADVERTENCIA

Para reducir el riesgo de lesiones, desconecte siempre la herramienta antes de darle cualquier mantenimiento. Nunca desarme la herramienta ni trate de hacer modificaciones en el sistema eléctrico de la misma. Acuda siempre a un Centro de Servicio MILWAUKEE para TODAS las reparaciones.

### Mantenimiento de las herramientas

Adopte un programa regular de mantenimiento y mantenga su herramienta en buenas condiciones. Antes de usarla, examine las condiciones generales de la misma. Inspeccione guardas, interruptores, el cable de la herramienta y el cable de extensión. Busque tornillos sueltos o flojos, defectos de alineación y dobleces en partes móviles, así como montajes inadecuados, partes rotas y cualquier otra condición que pueda afectar una operación segura. Si detecta ruidos o vibraciones anormales, apague la herramienta de inmediato y corrija el problema antes de volver a usarla. No utilice una herramienta dañada. Colóquese una etiqueta que diga "NO DEBE USARSE" hasta que sea reparada (vea "Reparaciones").

Bajo condiciones normales, no se requiere lubricación hasta que haya que cambiar los carbones. Después de 6 meses a un año, dependiendo del uso dado, envíe su herramienta al Centro de Servicio MILWAUKEE más cercano para que le hagan:

- Lubricación
- Inspección y cambio de carbones
- Inspección mecánica y limpieza (engranes, flechas, baleros, carcarza, etc.)
- Inspección eléctrica (interruptor, cable, armadura, etc.)
- Probarla para asegurar una operación mecánica y eléctrica adecuada.



### ADVERTENCIA

Para reducir el riesgo de lesiones, descarga eléctrica o daño a la herramienta, nunca la sumerja en líquidos ni permita que estos fluyan dentro de la misma.

### Limpieza

Limpie el polvo y suciedad de las ventilas. Mantenga las empuñaduras de la herramienta limpias, secas y libres de aceite y grasa. Use sólo jabón neutro y un trapo húmedo para limpiar su herramienta ya que algunas sustancias y disolventes limpiadores pueden ocasionar daños a materiales plásticos y partes aislantes. Algunos de estos incluyen: gasolina, trementina, diluyente para barniz, diluyente para pintura, disolventes limpiadores clorados, amoníaco, y detergentes caseros que contengan amoníaco.

### Reparaciones

Si su instrumento se daña, vuelva el instrumento entero al más cercano centro de reparaciones.

## ACCESORIOS



### ADVERTENCIA

Para reducir el riesgo de lesiones, desconecte siempre su herramienta antes de colocar o retirar un accesorio. Use solo accesorios recomendados específicamente. Otros pueden ser peligrosos.

Para una lista completa de accesorios, refiérase a su catálogo MILWAUKEE Electric Tool o visite nuestro sitio en Internet: [www.milwaukeetool.com](http://www.milwaukeetool.com). Para obtener un catálogo, contacte su distribuidor local o uno de los centros.

## GARANTÍA LIMITADA DE CINCO AÑOS

Cada herramienta eléctrica MILWAUKEE (incluyendo el cargador de batería) está garantizada sólo al comprador original de estar libre de defectos en el material y la mano de obra. Sujeto a ciertas excepciones, MILWAUKEE reparará o reemplazará por un período de cinco (5) años\* después de la fecha de compra cualquier pieza en una herramienta eléctrica que, después de haber sido examinada, MILWAUKEE determine que está defectuosa en el material o la mano de obra. Regrese la herramienta eléctrica y una copia de la prueba de compra a un concesionario de soporte de ventas/servicio de fábrica MILWAUKEE o a una estación de servicio autorizada MILWAUKEE. Para que esta garantía sea efectiva, se requiere el flete pagado por anticipado y el seguro. Esta garantía no aplica a los daños que MILWAUKEE determine sean ocasionados por reparaciones o intentos de reparación por cualquier otro que personal autorizado por MILWAUKEE, uso indebido, alteraciones, abuso, desgaste y deterioro normal, falta de mantenimiento o accidentes.

\* El plazo de garantía para los montacargas (de palanca, de cadena manual y de cadena eléctrica), de todas las baterías de Ni-Cd, de las linternas de trabajo (inalámbricas), de los radios para el lugar de trabajo, y de los carros Trade Titan™ para trabajo industrial es de un (1) año a partir de la fecha de compra. \*El plazo de garantía para las baterías de iones de litio que no incluyan tecnología V™ (desde 4,0 voltios hasta 18,0 voltios) es de dos (2) años a partir de la fecha de compra.

\*Existe una garantía por separado para las baterías de iones de litio con tecnología V™ (de 18 voltios o más) que viene incluida con las herramientas eléctricas que poseen tecnología V™:

\*Cada batería de iones de litio de tecnología V™ de MILWAUKEE de 18 voltios o superior, está cubierta con una garantía de reemplazo gratuito por las primeras 1000 cargas/2 años. Esto significa que por lo que suceda primero, las primeras 1000 cargas o dos (2) años de la fecha de compra/primer carga, se proporcionará sin cargo al cliente, una batería de reemplazo por cualquier batería defectuosa. A partir de entonces, los clientes recibirán una garantía adicional en una base proporcional que puede ser hasta de las primeras 2000 cargas o cinco (5) años de la fecha de compra/primer carga, lo que suceda primero. Esto significa que cada cliente obtiene una garantía proporcional de 1000 cargas o tres (3) años adicionales en la batería de iones de litio de tecnología V™ de 18 voltios o superior, dependiendo de la cantidad de uso. Durante este período adicional de garantía, el cliente paga por sólo el servicio utilizable recibido durante y superior a las primeras 1000 cargas/2 años, de acuerdo a la fecha de la primera carga y al número de cargas encontradas en la batería a través del lector de servicio de tecnología V™ de MILWAUKEE.

El registro de la garantía no es necesario para obtener la garantía aplicable en un producto MILWAUKEE. Sin embargo, se requiere un recibo de compras u otra información similar que MILWAUKEE considere suficiente.

LA ACEPTACIÓN DE LOS REMEDIOS EXCLUSIVOS DE REPARACIÓN Y REEMPLAZO AQUÍ DESCRITOS ES UNA CONDICIÓN DEL CONTRATO EN LA COMPRA DE CADA PRODUCTO MILWAUKEE. SI NO ESTÁ DE ACUERDO CON ESTA CONDICIÓN, NO DEBERÍA COMPRAR ESTE PRODUCTO. EN NINGÚN CASO MILWAUKEE SERÁ RESPONSABLE POR CUALESQUIER DAÑO PUNITIVO, CONSECUENTE, ESPECIAL, INCIDENTAL O POR CUALESQUIER COSTO, HONORARIOS DE ABOGADO, GASTOS, PÉRDIDAS O RETRASOS QUE SE ARGUMENTE QUE SEAN UNA CONSECUENCIA DE CUALQUIER DAÑO A, FALLA DE, O DEFECTO EN CUALQUIER PRODUCTO, INCLUYENDO, PERO SIN LIMITARSE A, CUALQUIER RECLAMO POR PÉRDIDAS DE GANANCIAS. ESTA GARANTÍA ES EXCLUSIVA Y REEMPLAZA TODAS LAS DEMÁS GARANTÍAS O CONDICIONES, ORALES O ESCRITAS, EXPRESAS O IMPLÍCITAS. SIN LIMITAR LA GENERALIDAD DE LO ANTERIOR, MILWAUKEE RENUNCIA A TODA GARANTÍA IMPLÍCITA DE COMERCIABILIDAD O APTITUD PARA UN FIN O USO ESPECÍFICO Y DEMÁS GARANTÍAS.

Esta garantía es válida solamente en el producto vendido en los Estados Unidos, México y Canadá.

## UNITED STATES

### MILWAUKEE Service

MILWAUKEE prides itself in producing a premium quality product that is **NOTHING BUT HEAVY DUTY®**.

Your satisfaction with our products is very important to us!

If you encounter any problems with the operation of this tool, or you would like to locate the *factory* Service/Sales Support Branch or *authorized service station* nearest you, please call...

# 1-800-SAWDUST

(1.800.729.3878)

NATIONWIDE TOLL FREE

Monday-Friday • 8:00 AM - 4:30 PM • Central Time  
or visit our website at

**[www.milwaukeetool.com](http://www.milwaukeetool.com)**

For service information, use the 'Service Center Search' icon found in the 'Parts & Service' section.

Additionally, we have a nationwide network of *authorized* Distributors ready to assist you with your tool and accessory needs. Check your "Yellow Pages" phone directory under "Tools-Electric" for the names & addresses of those nearest you or see the 'Where To Buy' section of our website.

Corporate After Sales Service - Technical Support  
Brookfield, Wisconsin USA

•Technical Questions •Service/Repair Questions •Warranty

**1-800-SAWDUST**

(1.800.729.3878)

fax:1.800.638.9582

email: [metproductsupport@milwaukeetool.com](mailto:metproductsupport@milwaukeetool.com)

Monday-Friday • 8:00 AM - 4:30 PM • Central Time

## CANADA

### Service MILWAUKEE

MILWAUKEE est fier de proposer un produit de première qualité **NOTHING BUT HEAVY DUTY®**. Votre satisfaction est ce qui compte le plus!

En cas de problèmes d'utilisation de l'outil ou pour localiser le centre de service/ventes ou le *centre d'entretien* le plus proche, appelez le...

# 416.439.4181

fax: 416.439.6210

**Milwaukee Electric Tool (Canada) Ltd**

755 Progress Avenue

Scarborough, Ontario M1H 2W7

Notre réseau national de distributeurs *agrés* se tient à votre disposition pour fournir l'aide technique, l'outillage et les accessoires nécessaires. Composez le 416.439.4181 pour obtenir les noms et adresses des revendeurs les plus proches ou bien consultez la section «Où acheter» sur notre site web à l'adresse

**[www.milwaukeetool.com](http://www.milwaukeetool.com)**

## MEXICO

### Servicios de MILWAUKEE

**Milwaukee Electric Tool**

Bvd. Abraham Lincoln no. 13

Colonia Los Reyes Zona Industrial

Tlalnepantla, Edo. México C.P. 54073

Tel. 55 5565-1414 Fax: 55 5565-6874

Adicionalmente, tenemos una red nacional de distribuidores autorizados listos para ayudarle con su herramienta y sus accesorios. Por favor, llame al 55 5565-1414 para obtener los nombres y direcciones de los más cercanos a usted, o consulte la sección 'Where to buy' (Dónde comprar) de nuestro sitio web en

**[www.milwaukeetool.com](http://www.milwaukeetool.com)**

## MILWAUKEE ELECTRIC TOOL CORPORATION

13135 West Lisbon Road • Brookfield, Wisconsin, U.S.A. 53005